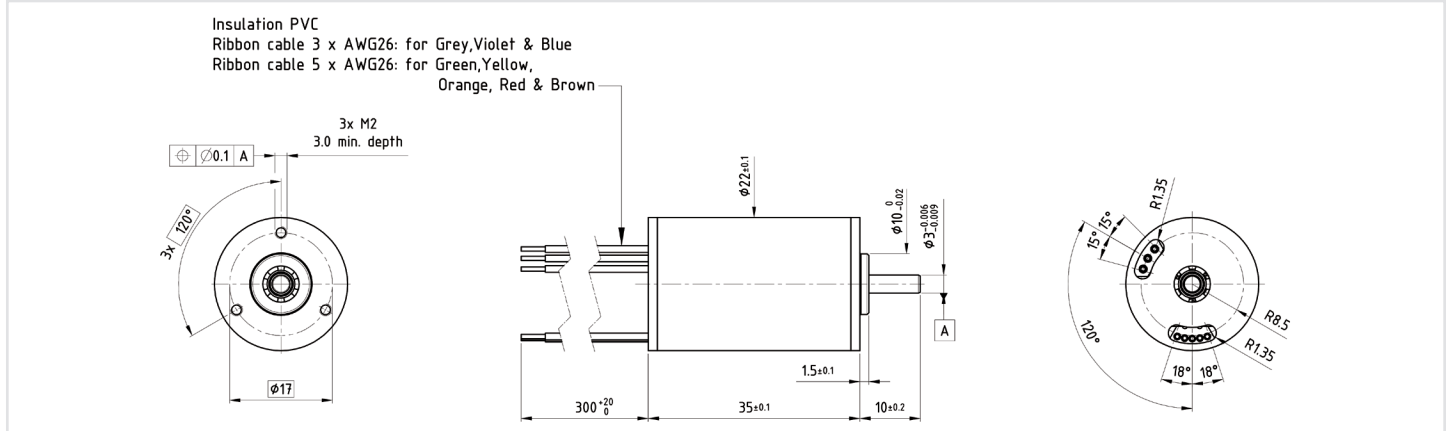


22ECP35 Ultra EC™

2 pole

Ø22mm

55W



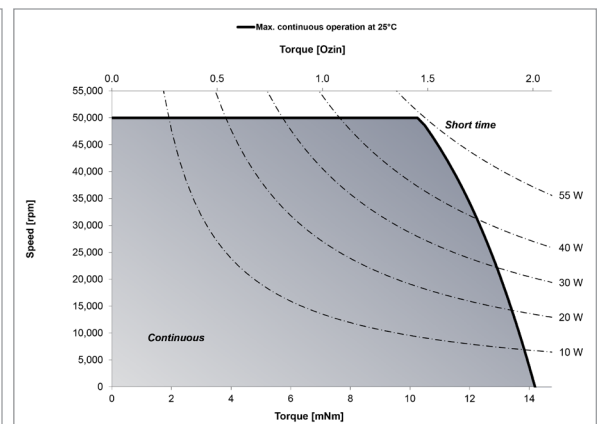
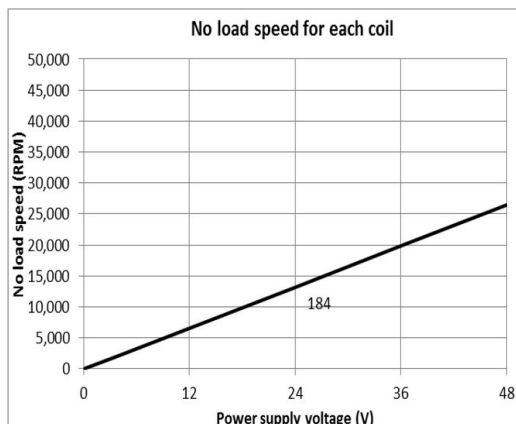
22ECP35 8B - **

Electrical Data		**	184	
1	Nominal Voltage	U_N	24	Volt
2	Optimization Direction	-	Symmetrical	-
3	No-Load Speed	n_0	13,200	rpm
4	Typical No-Load Current	I_0	30.0	mA
5	Max Continuous Mechanical Power (@25°C)	P_{max}	55.0	W
6	Max Continuous Current	$I_{e max}$	0.8	A
7	Max Continuous Torque	$M_{e max}$	14.3 (2.03)	mNm (oz-in)
8	Back EMF Constant	K_E	1.82	V/1000 rpm
9	Torque Constant	k_M	17.4	mNm/A
10	Motor Regulation	R/k^2	21.8	10 ³ /Nms
11	Motor Regulation	$k/R^{1/2}$	6.77 (0.96)	mNm/W ^{1/2} (oz-in/W ^{1/2})
12	Internal Resistance - phase to phase	R_i	6.58	ohms
13	Line to Line Resistance at Connectors	R_L	6.71	ohms
14	Inductance Phase to Phase	L	0.89	mH
15	Mechanical Time Constant	t_m	3.0	ms
16	Electrical Time Constant	t_e	0.14	ms

General Data				
17	Maximum Motor Speed	n_{max}	50000	rpm
18	Ambient Working Temperature Range	-	-30 to + 100 (-22 to + 212)	°C (°F)
19	Ambient Storage Temperature Range	-	-40 to + 100 (-40 to + 212)	°C (°F)
20	Ball Bearings Preload	-	5.50	N
21	Axial Static Force w/o Shaft Support (max)	-	34	N
22	Maximum Winding Temperature	-	125 (257)	°C (°F)
23	Thermal Resistance	R_{th1}/R_{th2}	3.5/12.5	°C/W
24	Thermal Time Constant	t_w	550	s
25	Weight	-	64 (2.26)	g (oz)
26	Rotor Inertia	J	1.38	g.cm ²
27	Hall Sensor Electrical Phasing	-	120	Electrical °

* Available without hall sensor

With hall effect sensors	
Wire	Description
Grey	Phase 1
Violet	Phase 2
Blue	Phase 3
Green	VDC 3.5 to 27V DC
Yellow	GND
Orange	Sensor 1
Red	Sensor 2
Brown	Sensor 3



V111517