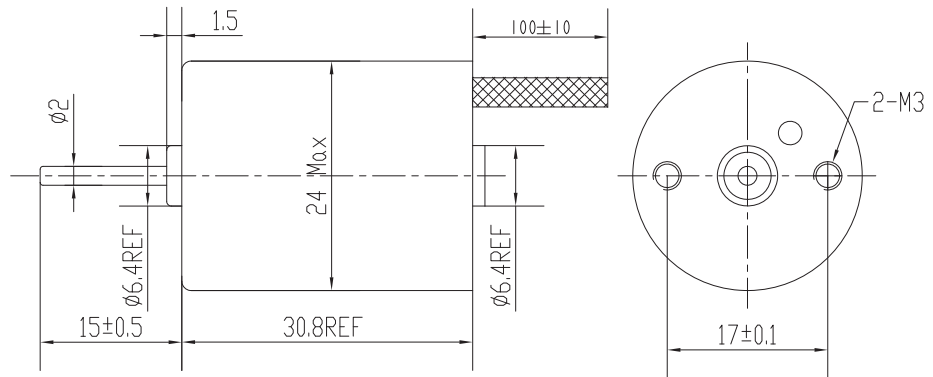


Brushless MOTOR

24CBL30



Characteristics

HALL EFFECT ANGLE
120° ELECTRIC ANGLE

SHAFT RUN OUT
0,025 MM

INSULATION CLASS
B

RADIAL PLAY
0,02 MM (450 G LOAD)

AXIAL PLAY
0,14 MM (450 G LOAD)

MAX RADIAL FORCE
4N 10MM FROM FLANGE

MAX AXIAL FORCE
4N

DIELECTRIC STRENGTH
500 VDC FOR ONE MINUTE

INSULATION RESISTANCE
100 M OHM MIN. 500 VDC

Specification

Model		24CBL30
1	N° OF POLE	6
2	N° OF PHASE	3
3	RATED VOLTAGE V	12
4	RATED SPEED RPM	4000
5	RATED TORQUE NM	0,006
6	MAX PEAK TORQUE NM	0,017
7	TORQUE CONSTANT NM/A	0,02
8	LINE TO LINE RESISTANCE Ω	7,3
9	LINE TO LINE INDUCTANCE MH	1,7
10	MAX PEAK CURRENT A	0,9
11	LENGTH MM	30
12	ROTOR INERTIA G-CM ²	10
13	WEIGHT KG	0,1

Connection

LEAD N°	COLOR	GAUGE	FUNCTION
1	YELLOW	UL1430 AWG28	VCC HALL SENSOR +5 TO +24 VDC
2	BLUE	UL1430 AWG28	HALL A
3	ORANGE	UL1430 AWG28	HALL B
4	BROWN	UL1430 AWG28	HALL C
5	WHITE	UL1430 AWG28	GND HALL SENSOR
6	GREEN	UL1430 AWG26	PHASE U
7	RED	UL1430 AWG26	PHASE V
8	BLACK	UL1430 AWG26	PHASE W

