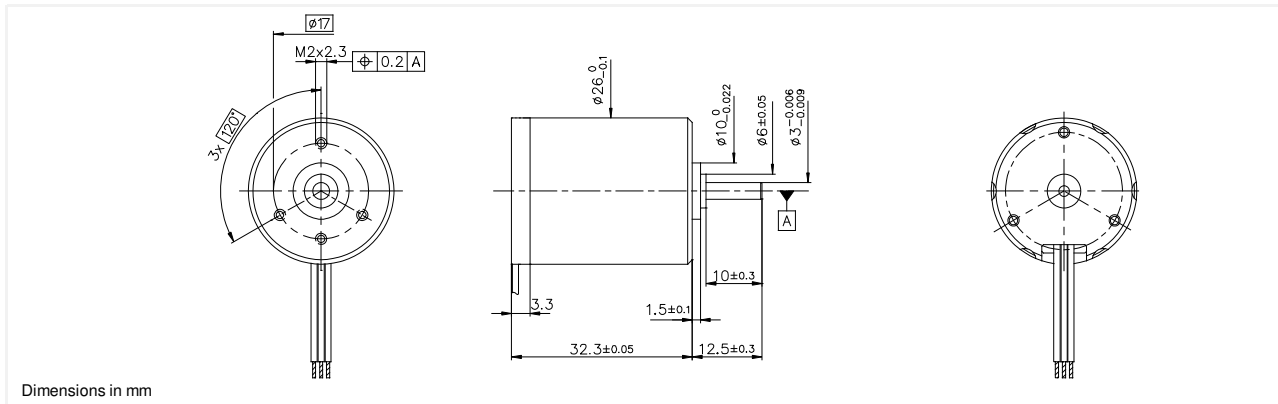


26BC 3C

2 pole

Ø26mm

8 W



Dimensions in mm

26BC 3C - \*\*

Electrical Data	**	109P	
1 Nominal Voltage	$U_N$	12	Volt
2 Optimization Direction	-	n.a.	-
3 No-Load Speed	$n_0$	14,800	rpm
4 Typical No-Load Current	$I_0$	180.0	mA
5 Max Continuous Mechanical Power (@25 °C)	$P_{max}$	8.0	W
6 Max Continuous Current	$I_{e,max}$	0.8	A
7 Max Continuous Torque	$M_{e,max}$	7 (1)	mNm (oz-in)
8 Back EMF Constant	$K_E$	0.73	V/1000 rpm
9 Torque Constant	$k_M$	7.0	mNm/A
10 Motor Regulation	$R/k^2$	102.0	$10^3/Nms$
11 Motor Regulation	$k/R^{1/2}$	3.1 (0.44)	$mNm/W^{1/2}$ (oz-in/ $W^{1/2}$ )
12 Internal Resistance - phase to phase	$R_I$	5.00	ohms
13 Line to Line Resistance at Connectors	$R_L$	5.00	ohms
14 Inductance Phase to Phase	$L$	0.09	mH
15 Mechanical Time Constant	$t_m$	95.0	ms
16 Electrical Time Constant	$t_e$	0.02	ms

General Data			
17 Maximum Motor Speed	$n_{max}$	20,000	rpm
18 Ambient Working Temperature Range	-	0 to +70 (+32 to +158)	°C (°F)
19 Ambient Storage Temperature Range	-	0 to +70 (+32 to +158)	°C (°F)
20 Ball Bearings Preload	-	5.0	N
21 Axial Static Force w/o Shaft Support (max)	-	45.0	N
22 Maximum Winding Temperature	-	125 (257)	°C (°F)
23 Thermal Resistance	$R_{th}$	14.0	°C/W
24 Thermal Time Constant	$t_w$	660	s
25 Weight	-	72 (2.54)	g (oz)
26 Rotor Inertia	$J$	9.400	$g \cdot cm^2$
27 Hall Sensor Electrical Phasing	-	NA	Electrical °

sensorless	
Wire	Description
Grey	Phase 1
Violet	Phase 2
Blue	Phase 3

