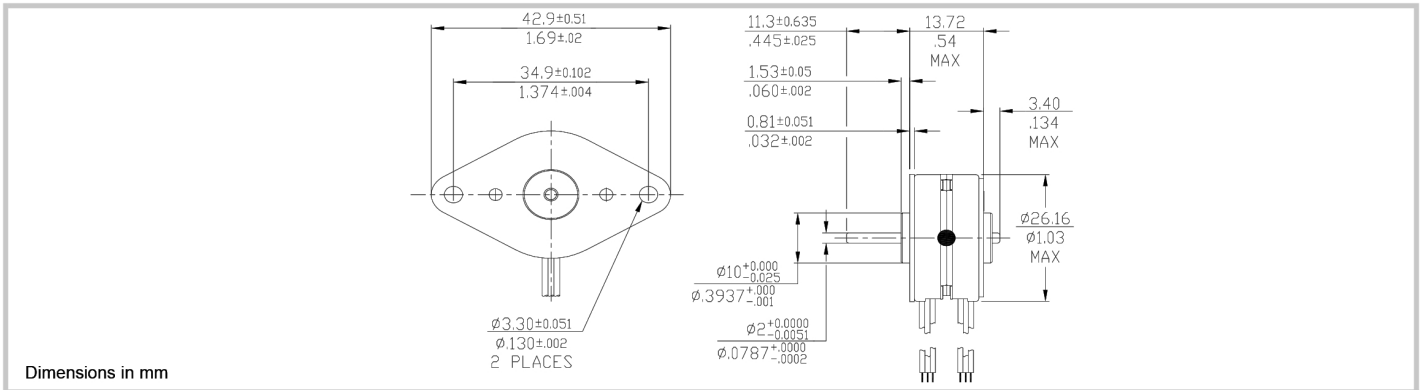


26M024B

RoHS Compliant

Ø26mm

7.8 mNm



26M024B

Electrical Data	26M024B1U Unipolar	26M024B2U Unipolar	26M024B1B Bipolar	26M024B2B Bipolar	
1 Operating Voltage	5	12	5	12	VDC
2 Resistance per Phase, ± 10%	19.6	110.0	19.8	108.0	Ohms
3 Inductance per Phase, typ	4.1	29.9	7.7	52.4	mH
4 Rated Current per Phase *	0.26	0.11	0.25	0.11	A
Coil independent parameters					
5 Holding Torque, MIN *	6.3 (0.9)	6.3 (0.9)	7.8 (1.1)	7.8 (1.1)	mNm (oz-in)
6 Detent Torque, Max		1.34 (0.19)			mNm (oz-in)
7 Rotor Inertia		1.1 (0.00601)			gcm ² (oz-in-s ²)
8 Step Angle		15.0			Degree
9 Absolute accuracy 2 ph. On, Full step		± 1			Degree
10 Steps per Revolution		24			
11 Ambient Temp Range (operating)		-20 to +70 (-4 to +158)			°C (°F)
12 Maximum Coil Temperature		130 (266)			°C (°F)
13 Bearing Type		Sintered Bronze Sleeve			
14 Insulation Resistance at 500 VDC		100			Mohms
15 Dielectric Withstanding Voltage		650 for 2 seconds			VAC
16 Weight		34 (1.2)			g (oz)
17 Leadwire		AWG #28, UL1429 (80° C, 150 V)			

All Motor Data Values at 20°C Unless Otherwise Specified

* Energize at Rated Current, 2 Phase On

