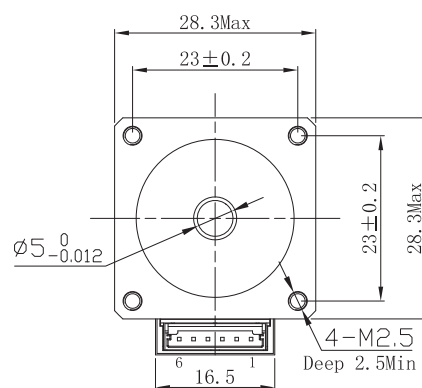
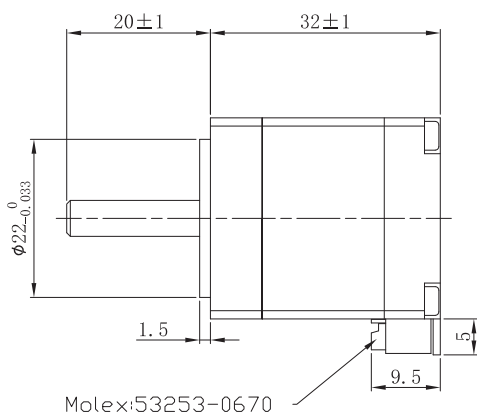


Stepper MOTOR

28STC32 Hyper Step



Characteristics

STEP ANGLE
1,8°

STEP ANGLE ACCURACY
± 5%

INSULATION CLASS
B

AMBIENT TEMPERATURE
-20°C +50°C

TEMP. RISE
80°C MAX (RATED CURRENT, 2 PHASE ON)

INSULATION RESISTANCE
100 M OHM MIN. 500 VDC

DIELECTRIC STRENGTH
500 VAC FOR ONE MINUTE

SHAFT RADIAL PLAY
0,02 MAX (450 G LOAD)

SHAFT AXIAL PLAY
0,08 MAX (450 G LOAD)

MAX RADIAL FORCE
28 N (20 MM FROM FRONT FLANGE)

MAX AXIAL FORCE
7 N

Connection

LEAD N°	COLOR	GAUGE	FUNCTION
1	BLACK	UL1061 AWG28	PHASE A
2	GREEN	UL1061 AWG28	PHASE A-
3	RED	UL1061 AWG28	PHASE B
4	BLUE	UL1061 AWG28	PHASE B-

Specification

Model		28STC32-0674A	28STC32-1504A	
1	RATED VOLTAGE	V	4,2	1,95
2	CURRENT/PHASE	A	0,67	1,5
3	RESISTANCE/PHASE	Ω	6,2	1,3
4	INDUCTANCE/PHASE	mH	5,76	1
5	HOLDING TORQUE	NM	0,09	0,09
6	ROTOR INERTIA	G-CM ²	9	9
7	WEIGHT	KG	0,11	0,11
8	NUMBER OF LEADS	N°	4	4
9	LENGTH	MM	32	32

Speed vs. Torque Characteristics

