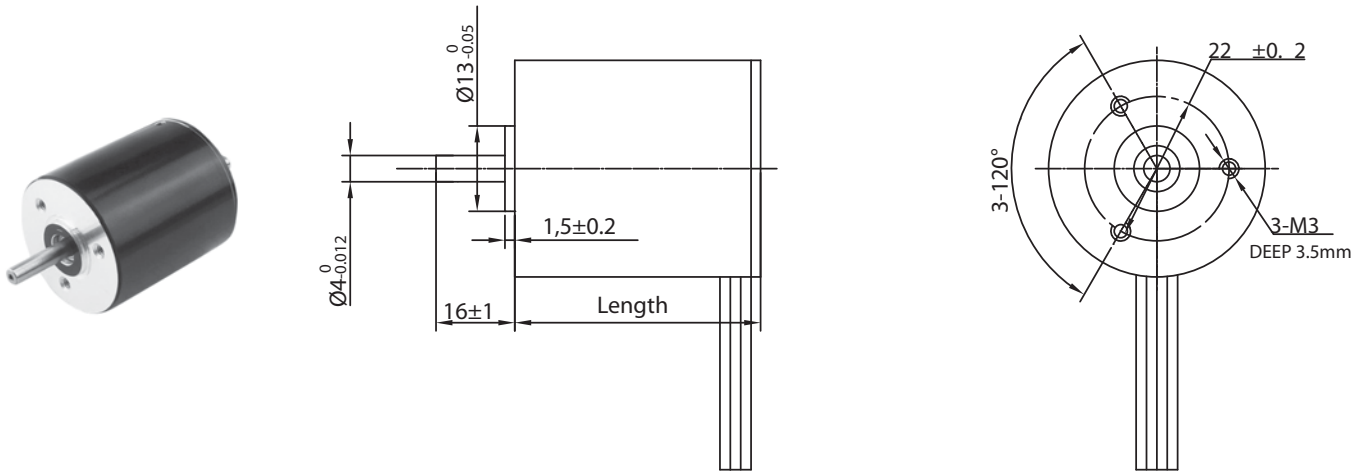


Brushless MOTOR

33BL



BE version: rear shaft 13mm- 2x M2.5 on diam. 19.05 mm

Characteristics

HALL EFFECT ANGLE
120 ° ELECTRIC ANGLE

SHAFT RUN OUT
0,025 MM

INSULATION CLASS
B

RADIAL PLAY
0,02 MM (450 G LOAD)

AXIAL PLAY
0,08 MM (450 G LOAD)

MAX RADIAL FORCE
15N 10MM FROM FLANGE

MAX AXIAL FORCE
10N

DIELECTRIC STRENGTH
500 VDC FOR ONE MINUTE

INSULATION RESISTANCE
100 M OHM MIN. 500 VDC

Specification

Model		33BL38	33BL80
1	N° OF POLE	4	4
2	N° OF PHASE	3	3
3	RATED VOLTAGE	V 24	24
4	RATED SPEED	RPM 4500	7800
5	RATED TORQUE	NM 0,022	0,05
6	MAX PEAK TORQUE	NM 0,066	0,15
7	TORQUE CONSTANT	NM/A 0,046	0,025
8	LINE TO LINE RESISTANCE	Ω 14,2	0,86
9	LINE TO LINE INDUCTANCE	MH 7	0,55
10	MAX PEAK CURRENT	A 1,45	6
11	LENGTH	MM 38	80
12	ROTOR INERTIA	G-CM ² 7,95	23,55
13	WEIGHT	KG 0,115	0,2

Connection

LEAD N°	COLOR	GAUGE	FUNCTION
1	YELLOW	UL1430 AWG26	VCC HALL SENSOR +5 TO +24 VDC
2	BLUE	UL1430 AWG26	HALL A
3	ORANGE	UL1430 AWG26	HALL B
4	BROWN	UL1430 AWG26	HALL C
5	WHITE	UL1430 AWG26	GND HALL SENSOR
6	GREEN	UL1430 AWG22	PHASE U
7	RED	UL1430 AWG22	PHASE V
8	BLACK	UL1430 AWG22	PHASE W

