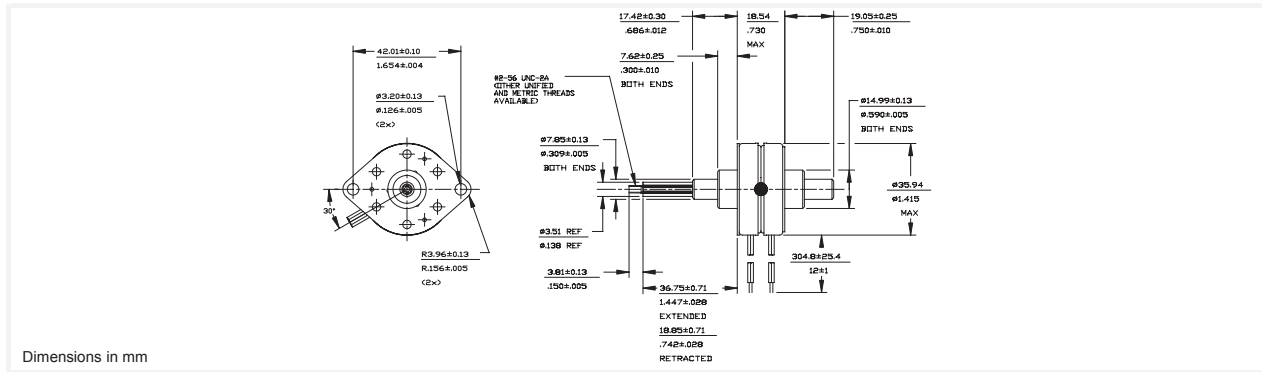


35DBM-K

RoHS Compliant

Ø35mm

28.9 N



35DBM-K

Electrical Data	35DBMXXB1B-K Bipolar	35DBMXXB2B-K Bipolar	35DBMXXB1U-K Unipolar	35DBMXXB2U-K Unipolar	
1 Operating Voltage	5	12	5	12	VDC
2 Resistance per Phase, ± 10%	10.0	58.0	10.0	58.0	Ohms
3 Inductance per Phase, typ	11.2	60.0	5.2	30.0	mH
4 Rated Current per Phase *	0.50	0.21	0.50	0.21	A
Coil independent parameters					
	XX				
5 Max. Holding Force	@ .001" (0.0254mm) @ .002" (0.0508mm) @ .003" (0.0762mm)	28.9 (103.9) 23.6 (84.9) 13.3 (47.8)	20.9 (75) 15.3 (55) 8.3 (30)		N (oz) N (oz) N (oz)
6 Min. Holding Force (Unenergized)	@ .001" (0.0254mm) @ .002" (0.0508mm) @ .003" (0.0762mm)		11.1 (40) 2.8 (10) 1.4 (5)		N (oz) N (oz) N (oz)
7 Maximum Travel	@ .001" (0.0254mm) @ .002" (0.0508mm) @ .003" (0.0762mm)		17.9 (0.71) 17.9 (0.71) 17.9 (0.71)		mm (in) mm (in) mm (in)
8 Step Angle			7.5 ± .5		Degree
9 Steps per Revolution			48		
10 Ambient Temperature Range (operating)		-20 to +70 (-4 to +158)			°C (°F)
11 Maximum Coil Temperature		130 (266)			°C (°F)
12 Bearing Type		Ball Bearing			
13 Insulation Resistance at 500 VDC		20			Mohms
14 Dielectric Withstanding Voltage		650 for 2 seconds			VAC
15 Weight		85.2 (3)			g (oz)
16 Leadwire		AWG 26, UL 1429			

All Motor Data Values at 20°C Unless Otherwise Specified

* Energize at Rated Current, 2 Phase On

