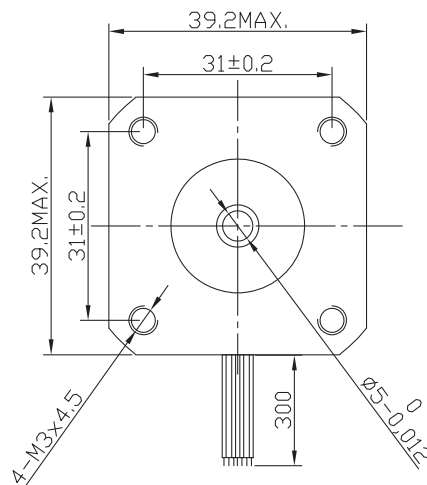
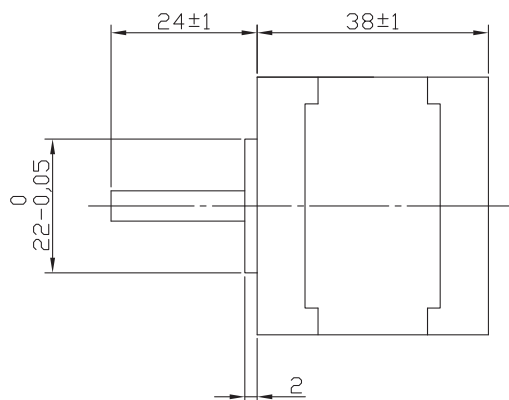
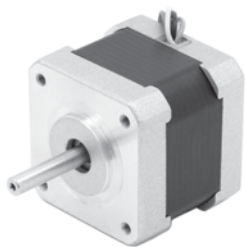


Stepper MOTOR

39SH38 High Torque Hybrid



BE version: rear shaft 13mm- 2x M2.5 on diam. 19.05 mm

Characteristics

STEP ANGLE
1,8°

STEP ANGLE ACCURACY
± 5%

INSULATION CLASS
B

AMBIENT TEMPERATURE
-20°C +50°C

TEMP. RISE
80°C MAX (RATED CURRENT, 2 PHASE ON)

INSULATION RESISTANCE
100 M OHM MIN. 500 VDC

DIELECTRIC STRENGTH
500 VAC FOR ONE MINUTE

SHAFT RADIAL PLAY
0,02 MAX (450 G LOAD)

SHAFT AXIAL PLAY
0,08 MAX. (450 G LOAD)

MAX RADIAL FORCE
28 N (20 MM FROM FRONT FLANGE)

MAX AXIAL FORCE
10 N

Connection

LEAD N°	COLOR	GAUGE	FUNCTION
1	BLACK	UL1430 AWG26	PHASE A
2	GREEN	UL1430 AWG26	PHASE A-
3	RED	UL1430 AWG26	PHASE B
4	BLUE	UL1430 AWG26	PHASE B-
UNIPOLAR MOTOR			
5	YELLOW	UL1430 AWG26	COM PHASE A
6	WHITE	UL1430 AWG26	COM PHASE B

Specification

Model		39SH38-0806A	39SH38-0304A	39SH38-0504A	
1	RATED VOLTAGE	V	6	12	12
2	CURRENT/PHASE	A	0,8	0,3	0,5
3	RESISTANCE/PHASE	Ω	7,5	40	24
4	INDUCTANCE/PHASE	mH	6	100	45
5	HOLDING TORQUE	NM	0,2	0,28	0,29
6	ROTOR INERTIA	G-CM ²	24	24	24
7	WEIGHT	KG	0,2	0,2	0,2
8	NUMBER OF LEADS	N°	6	4	4

Speed vs. Torque Characteristics

