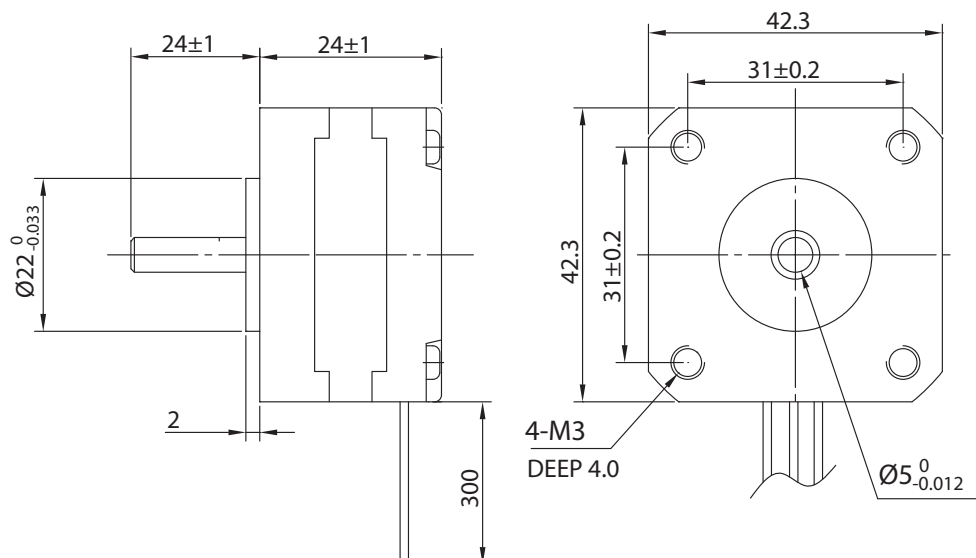
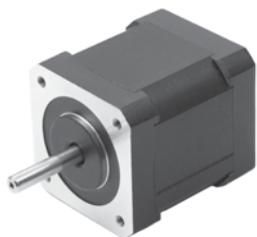


Stepper MOTOR

423P24 3Phase High Torque Hybrid



BE version: rear shaft 13mm- 2x M2.5 on diam. 19,05 mm

Characteristics

STEP ANGLE
1,2°

STEP ANGLE ACCURACY
± 5%

INSULATION CLASS
B

AMBIENT TEMPERATURE
-20°C +50°C

TEMP. RISE
80°C MAX (RATED CURRENT, 2 PHASE ON)

INSULATION RESISTANCE
100 M OHM MIN. 500 VDC

DIELECTRIC STRENGTH
500 VAC FOR ONE MINUTE

SHAFT RADIAL PLAY
0,02 MAX (450 G LOAD)

SHAFT AXIAL PLAY
0,08 MAX. (450 G LOAD)

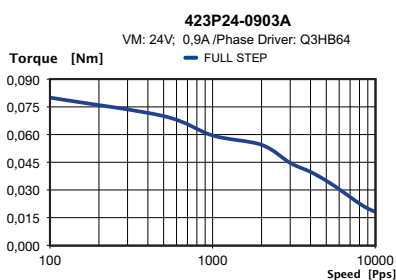
MAX RADIAL FORCE
28 N (20 MM FROM FRONT FLANGE)

MAX AXIAL FORCE
10 N

Specification

Model	423P24-0903A	
1 RATED VOLTAGE	V	5,58
2 CURRENT/PHASE	A	0,9
3 RESISTANCE/PHASE	Ω	6,2
4 INDUCTANCE/PHASE	MH	3,2
5 HOLDING TORQUE	NM	0,08
6 ROTOR INERTIA	G-CM ²	20
7 WEIGHT	KG	0,14
8 NUMBER OF LEADS	N°	3

Speed vs. Torque Characteristics



Connection

PIN N°	COLOR	GAUGE	FUNCTION
1	RED	UL1430 AWG26	PHASE U
2	YELLOW	UL1430 AWG26	PHASE V
3	BLUE	UL1430 AWG26	PHASE W