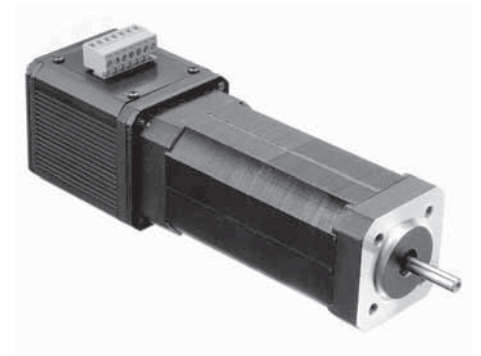


SPECIFICATION

| Model | | 42BL41-IE | 42BL61-IE |
|-------|-------------------------|-------------------|-----------|
| 1 | N° OF POLE | 8 | 8 |
| 2 | N° OF PHASE | 3 | 3 |
| 3 | RATED VOLTAGE | V | 24 |
| 4 | RATED SPEED | rpm | 4000 |
| 5 | RATED TORQUE | Nm | 0,0625 |
| 6 | MAX PEAK TORQUE | Nm | 0,19 |
| 7 | TORQUE CONSTANT | Nm/A | 0,035 |
| 8 | LINE TO LINE RESISTANCE | Ω | 1,5 |
| 9 | LINE TO LINE INDUCTANCE | mH | 2,1 |
| 10 | MAX PEAK CURRENT | A | 6 |
| 11 | RATED CURRENT | A | 1,79 |
| 12 | NO-LOAD CURRENT | mA | 220 |
| 13 | LENGTH | mm | 87 |
| 14 | ROTOR INERTIA | g-cm ² | 24 |
| 15 | WEIGHT | Kg | 0,5 |

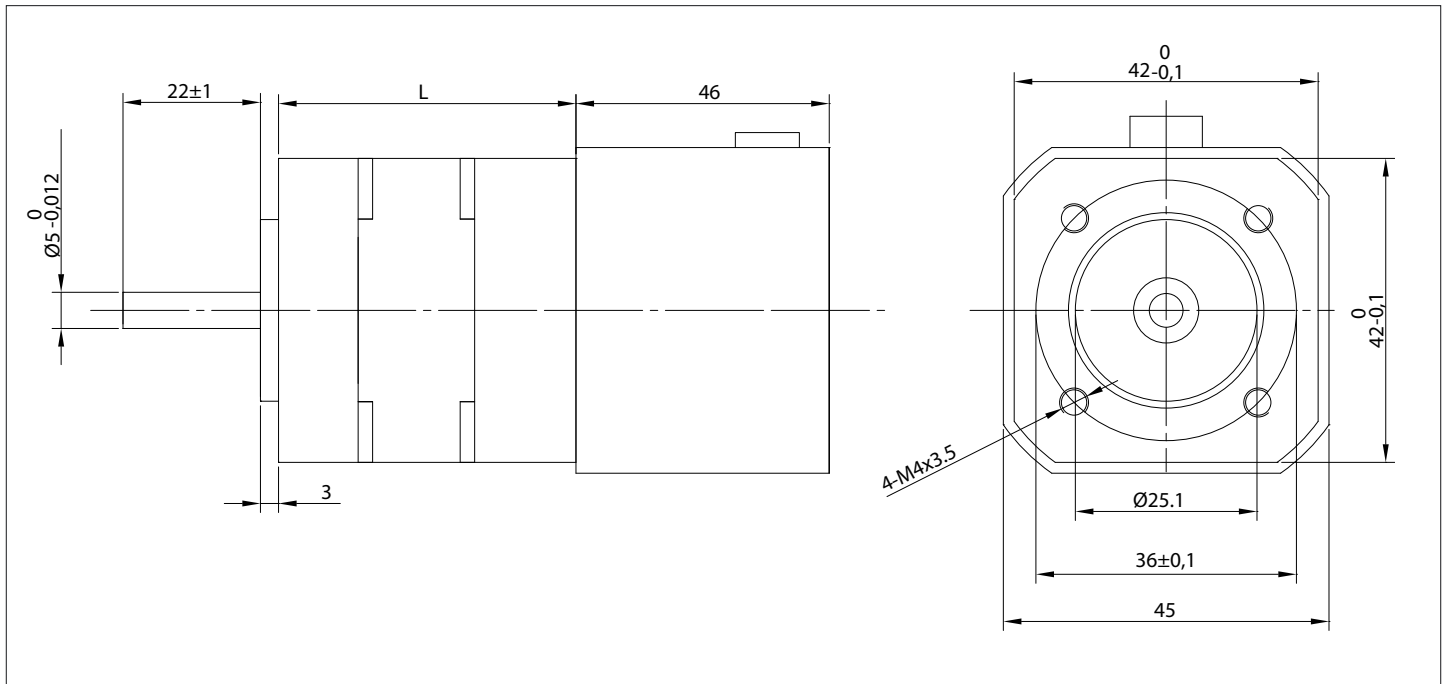


CONNECTION

| Pin N° | | Function |
|--------|-----|---------------------------------------|
| 1 | +5V | +5V VOLTAGE OUTPUT |
| 2 | F/R | ROTATION DIRECTION |
| 3 | SV | REFERENCE SPEED VOLTAGE 0/+5V |
| 4 | PG | SPEED PULSE OUTPUT TTL, 24 PULSE/REV. |
| 5 | GND | COMMON GROUND SYSTEM |
| 6 | GND | COMMON GROUND SYSTEM |
| 7 | +Vp | DC POWER INPUT +24VDC |

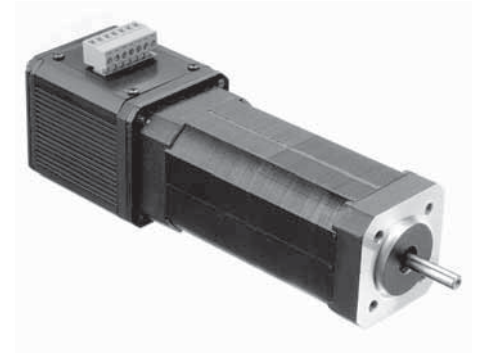
CHARACTERISTICS

| Item | |
|--|------------------------|
| HALL EFFECT ANGLE | 120° |
| SHAFT RUN OUT | 0,025 mm |
| INSULATION CLASS | B |
| RADIAL PLAY (450 g LOAD) | 0,02 mm |
| AXIAL PLAY (450 g LOAD) | 0,08 mm |
| MAX RADIAL FORCE (10 mm FROM FRONT FLANGE) | 28N |
| MAX AXIAL FORCE | 10N |
| DIELECTRIC STRENGTH | 500 VDC FOR ONE SECOND |
| INSULATION RESISTANCE | 100 Mohm min. 500 VDC |



SPECIFICATION

| Model | | 42BL81-IE | 42BL100-IE |
|-------|-------------------------|-------------------|------------|
| 1 | N° OF POLE | 8 | 8 |
| 2 | N° OF PHASE | 3 | 3 |
| 3 | RATED VOLTAGE | V | 24 |
| 4 | RATED SPEED | rpm | 4000 |
| 5 | RATED TORQUE | Nm | 0,185 |
| 6 | MAX PEAK TORQUE | Nm | 0,74 |
| 7 | TORQUE CONSTANT | Nm/A | 0,036 |
| 8 | LINE TO LINE RESISTANCE | Ω | 0,43 |
| 9 | LINE TO LINE INDUCTANCE | mH | 0,7 |
| 10 | MAX PEAK CURRENT | A | 15,5 |
| 11 | RATED CURRENT | A | 5,14 |
| 12 | NO-LOAD CURRENT | mA | 340 |
| 13 | LENGTH | mm | 127 |
| 14 | ROTOR INERTIA | g-cm ² | 72 |
| 15 | WEIGHT | Kg | 0,85 |



CONNECTION

| Pin N° | | Function |
|--------|-----|---------------------------------------|
| 1 | +5V | +5V VOLTAGE OUTPUT |
| 2 | F/R | ROTATION DIRECTION |
| 3 | SV | REFERENCE SPEED VOLTAGE 0/+5V |
| 4 | PG | SPEED PULSE OUTPUT TTL, 24 PULSE/REV. |
| 5 | GND | COMMON GROUND SYSTEM |
| 6 | GND | COMMON GROUND SYSTEM |
| 7 | +VP | DC POWER INPUT +24VDC |

CHARACTERISTICS

| Item | |
|--|------------------------|
| HALL EFFECT ANGLE | 120° |
| SHAFT RUN OUT | 0,025 mm |
| INSULATION CLASS | B |
| RADIAL PLAY (450 g LOAD) | 0,02 mm |
| AXIAL PLAY (450 g LOAD) | 0,08 mm |
| MAX RADIAL FORCE (10 mm FROM FRONT FLANGE) | 28N |
| MAX AXIAL FORCE | 10N |
| DIELECTRIC STRENGTH | 500 VDC FOR ONE SECOND |
| INSULATION RESISTANCE | 100 Mohm min. 500 VDC |