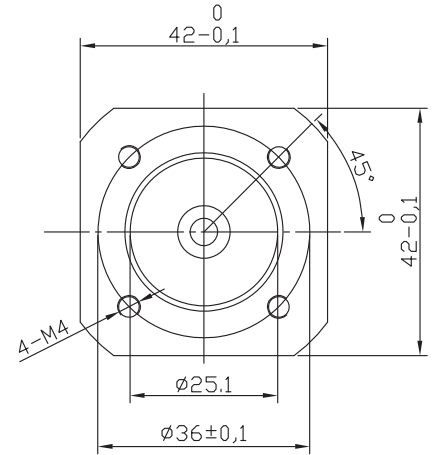
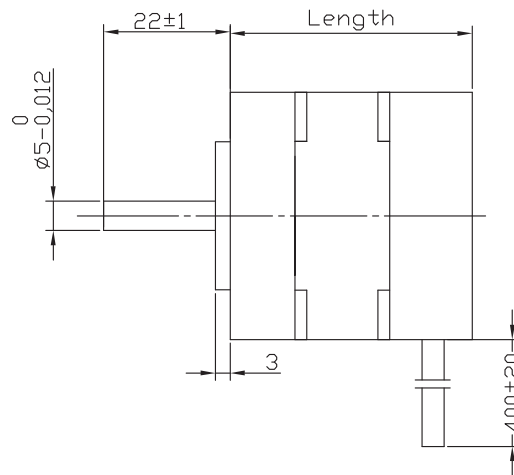


Brushless MOTOR

42BLA



BE version: rear shaft 13mm- 2x M2.5 on diam. 19.05 mm

Characteristics

HALL EFFECT ANGLE
120 ° ELECTRIC ANGLE

SHAFT RUN OUT
0,025 MM

INSULATION CLASS
B

RADIAL PLAY
0,02 MM (450 G LOAD)

AXIAL PLAY
0,08 MM (450 G LOAD)

MAX RADIAL FORCE
28 N (10 MM FROM FLANGE)

MAX AXIAL FORCE
10 N

DIELECTRIC STRENGTH
500 VDC FOR ONE MINUTE

MAX AXIAL FORCE
100 M OHM MIN. 500 VDC

Specification

Model		42BLA01	42BLA02	42BLA03	42BLA04
1	N° OF POLE	10	10	10	10
2	N° OF PHASE	3	3	3	3
3	RATED VOLTAGE	V	24	24	24
4	RATED SPEED	RPM	3000	3000	3000
5	RATED TORQUE	NM	0,07	0,16	0,26
6	MAX PEAK TORQUE	NM	0,21	0,48	0,78
7	TORQUE CONSTANT	NM/A	0,054	0,054	0,054
8	LINE TO LINE RESISTANCE	Ω	2,6	1,1	0,7
9	LINE TO LINE INDUCTANCE	mH	1,83	0,96	0,58
10	MAX PEAK CURRENT	A	4	8,3	13,5
11	LENGTH	MM	40,3	60,3	80,3
12	ROTOR INERTIA	G-CM ²	48	101	154
13	WEIGHT	KG	0,3	0,45	0,65

Connection

LEAD N°	COLOR	GAUGE	FUNCTION
1	RED	UL1430 AWG26	VCC HALL SENSOR +5 TO +24 VDC
2	BLUE	UL1430 AWG26	HALL A
3	GREEN	UL1430 AWG26	HALL B
4	WHITE	UL1430 AWG26	HALL C
5	BLACK	UL1430 AWG26	GND HALL SENSOR
6	YELLOW	UL1430 AWG20	PHASE U
7	RED	UL1430 AWG20	PHASE V
8	BLACK	UL1430 AWG20	PHASE W

