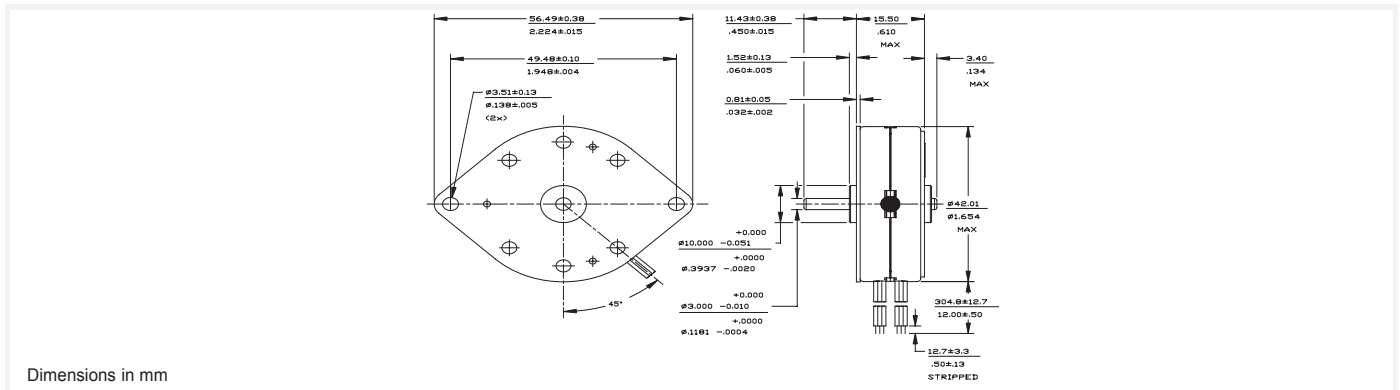


42S048D

RoHS Compliant

Ø42mm

60 mNm



Dimensions in mm

42S048D

Electrical Data	42S048D1U Unipolar	42S048D2U Unipolar	42S048D1B Bipolar	42S048D2B Bipolar	
1 Operating Voltage	5	12	5	12	VDC
2 Resistance per Phase, ± 10%	12.5	75.0	12.5	75.0	Ohms
3 Inductance per Phase, typ	6.4	34.1	10.4	58.0	mH
4 Rated Current per Phase *	0.40	0.16	0.40	0.16	A
Coil independent parameters					
5 Holding Torque, MIN *	50.8 (7.2)	50.8 (7.2)	60 (8.5)	60 (8.5)	mNm (oz-in)
6 Detent Torque, Max			12 (1.7)		mNm (oz-in)
7 Rotor Inertia			9.5 (0.052)		gcm ² (oz-in-s ²)
8 Step Angle			7.5		Degree
9 Absolute accuracy 2 ph. On, Full step			± .5		Degree
10 Steps per Revolution			48.0		
11 Ambient Temp Range (operating)			-20 to +70 (-4 to +158)		°C (°F)
12 Maximum Coil Temperature			130 (266)		°C (°F)
13 Bearing Type			Sintered Bronze Sleeve		
14 Insulation Resistance at 500 VDC			100.0		Mohms
15 Dielectric Withstanding Voltage			650 for 2 seconds		VAC
16 Weight			88 (3.1)		g (oz)
17 Leadwire			AWG#28, UL3265 (125°C, 150V)		

All Motor Data Values at 20°C Unless Otherwise Specified

* Energize at Rated Current, 2 Phase On

