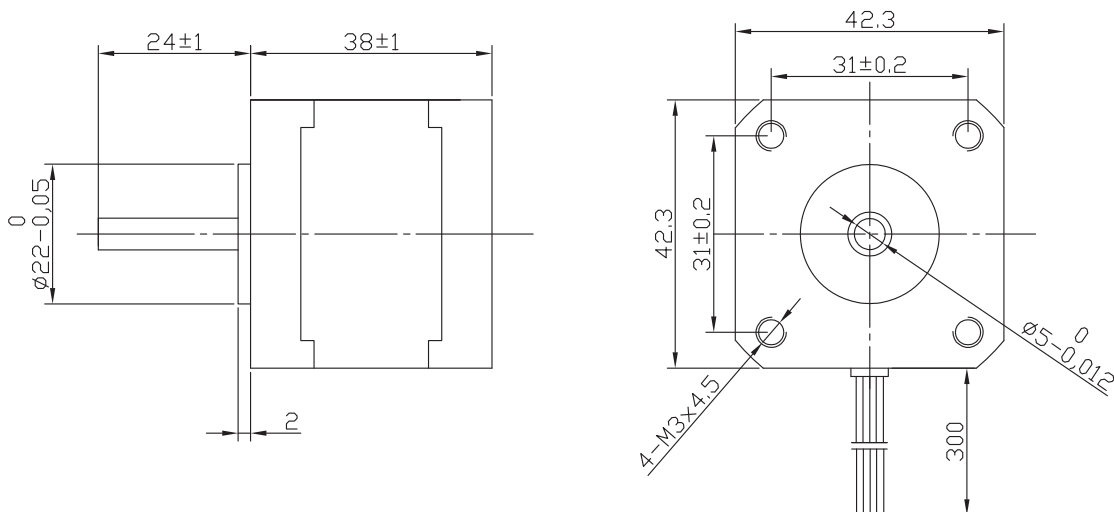


Stepper MOTOR

42SH38-M High Torque Hybrid



BE version: rear shaft 13mm- 2x M2.5 on diam. 19.05 mm

Characteristics

STEP ANGLE
0,9°

STEP ANGLE ACCURACY
± 5%

INSULATION CLASS
B

AMBIENT TEMPERATURE
-20°C +50°C

TEMP. RISE
80°C MAX (RATED CURRENT, 2 PHASE ON)

INSULATION RESISTANCE
100 M OHM MIN. 500 VDC

DIELECTRIC STRENGTH
500 VAC FOR ONE MINUTE

SHAFT RADIAL PLAY
0,02 MAX (450 G LOAD)

SHAFT AXIAL PLAY
0,08 MAX. (450 G LOAD)

MAX RADIAL FORCE
28 N (20 MM FROM FRONT FLANGE)

MAX AXIAL FORCE
10 N

Connection

LEAD N°	COLOR	GAUGE	FUNCTION
1	BLACK	UL1430 AWG26	PHASE A
2	GREEN	UL1430 AWG26	PHASE A-
3	RED	UL1430 AWG26	PHASE B
4	BLUE	UL1430 AWG26	PHASE B-
UNIPOLAR MOTOR			
5	YELLOW	UL1430 AWG26	COM PHASE A
6	WHITE	UL1430 AWG26	COM PHASE B

Specification

Model		42SH38-1AM	42SH38-2AM	42SH38-3AM	42SH38-4AM	
1	RATED VOLTAGE	V	4	6	12	2,8
2	CURRENT/PHASE	A	1,2	0,8	0,4	1,68
3	RESISTANCE/PHASE	Ω	3,3	7,5	30	1,65
4	INDUCTANCE/PHASE	mH	3,4	9,6	30	3,2
5	HOLDING TORQUE	NM	0,259	0,259	0,259	0,36
6	ROTOR INERTIA	G-CM ²	54	54	54	54
7	WEIGHT	KG	0,28	0,28	0,28	0,28
8	NUMBER OF LEADS	N°	6	6	6	4

Speed vs. Torque Characteristics

