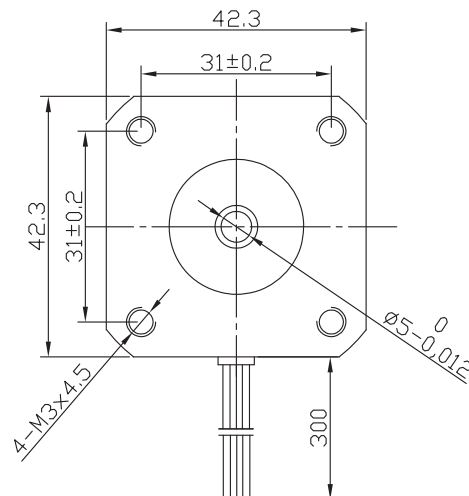
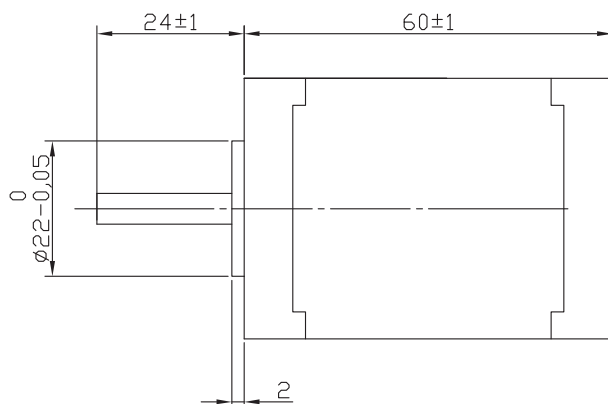


Stepper MOTOR

42SH60 High Torque Hybrid



BE version: rear shaft 13mm- 2x M2.5 on diam. 19.05 mm

Characteristics

STEP ANGLE
1,8°

STEP ANGLE ACCURACY
± 5%

INSULATION CLASS
B

AMBIENT TEMPERATURE
-20°C +50°C

TEMP. RISE
80°C MAX (RATED CURRENT, 2 PHASE ON)

INSULATION RESISTANCE
100 M OHM MIN. 500 VDC

DIELECTRIC STRENGTH
500 VAC FOR ONE MINUTE

SHAFT RADIAL PLAY
0,02 MAX (450 G LOAD)

SHAFT AXIAL PLAY
0,08 MAX. (450 G LOAD)

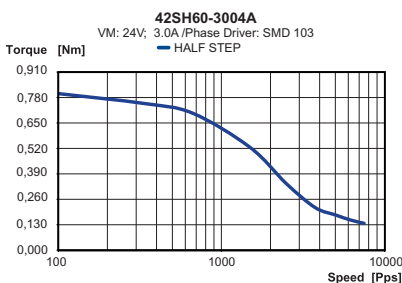
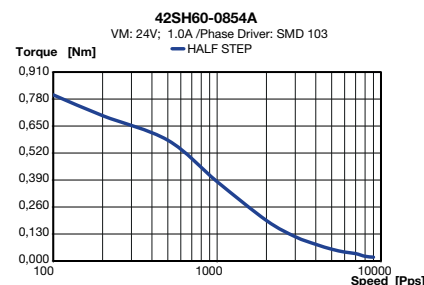
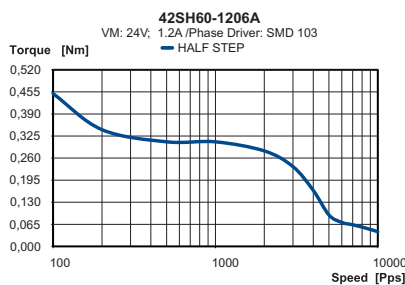
MAX RADIAL FORCE
28 N (20 MM FROM FRONT FLANGE)

MAX AXIAL FORCE
10 N

Specification

Model		42SH60-1206A	42SH60-0854A	42SH60-3004A	
1	RATED VOLTAGE	V	7,2	10,2	3,3
2	CURRENT/PHASE	A	1,2	0,85	3
3	RESISTANCE/PHASE	Ω	6	12	1,1
4	INDUCTANCE/PHASE	mH	7	29	2,7
5	HOLDING TORQUE	NM	0,65	0,9	0,8
6	ROTOR INERTIA	G-CM ²	102	102	102
7	WEIGHT	KG	0,5	0,5	0,5
8	NUMBER OF LEADS	N°	6	4	4

Speed vs. Torque Characteristics



Connection

LEAD N°	COLOR	GAUGE	FUNCTION
1	BLACK	UL1430 AWG26	PHASE A
2	GREEN	UL1430 AWG26	PHASE A-
3	RED	UL1430 AWG26	PHASE B
4	BLUE	UL1430 AWG26	PHASE B-
UNIPOLAR MOTOR			
5	YELLOW	UL1430 AWG26	COM PHASE A
6	WHITE	UL1430 AWG26	COM PHASE B

