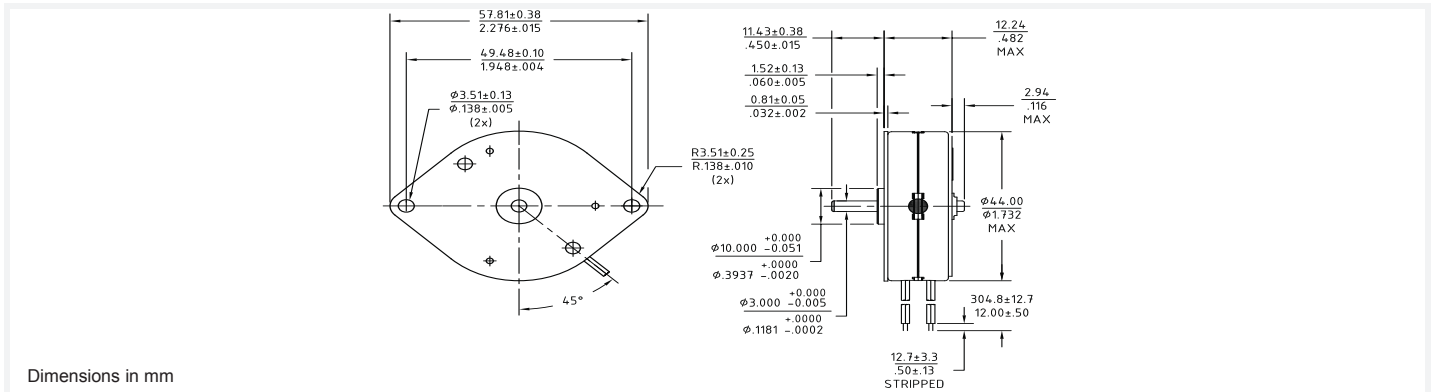


44M100D

RoHS Compliant

Ø44mm

46.6 mNm



44M100D

Electrical Data	44M100D1B Bipolar	44M100D2B Bipolar	
1 Operating Voltage	5	12	VDC
2 Resistance per Phase, ± 10%	12.5	70.0	Ohms
3 Inductance per Phase, typ	6.7	35.0	mH
4 Rated Current per Phase *	0.40	0.17	A
Coil independent parameters			
5 Holding Torque, MIN *	46.6 (6.6)		mNm (oz-in)
6 Detent Torque, Max	8.47 (1.2)		mNm (oz-in)
7 Rotor Inertia	8.3 (0.045)		gcm ² (oz-in-s ²)
8 Step Angle	3.6		Degree
9 Absolute accuracy 2 ph. On, Full step	±0.4		Degree
10 Steps per Revolution	100		
11 Ambient Temp Range (operating)	-20 TO 70 (-4 TO 158)		°C (°F)
12 Maximum Coil Temperature	130 (266)		°C (°F)
13 Bearing Type	Sintered Bronze Sleeve		
14 Insulation Resistance at 500 VDC	100		Mohms
15 Dielectric Withstanding Voltage	650 VRMS for 2 seconds		VAC
16 Weight	88 (3.1)		g (oz)
17 Leadwire	AWG#28, UL3265 (125°C, 150V)		

All Motor Data Values at 20°C Unless Otherwise Specified

* Energize at Rated Current, 2 Phase On

