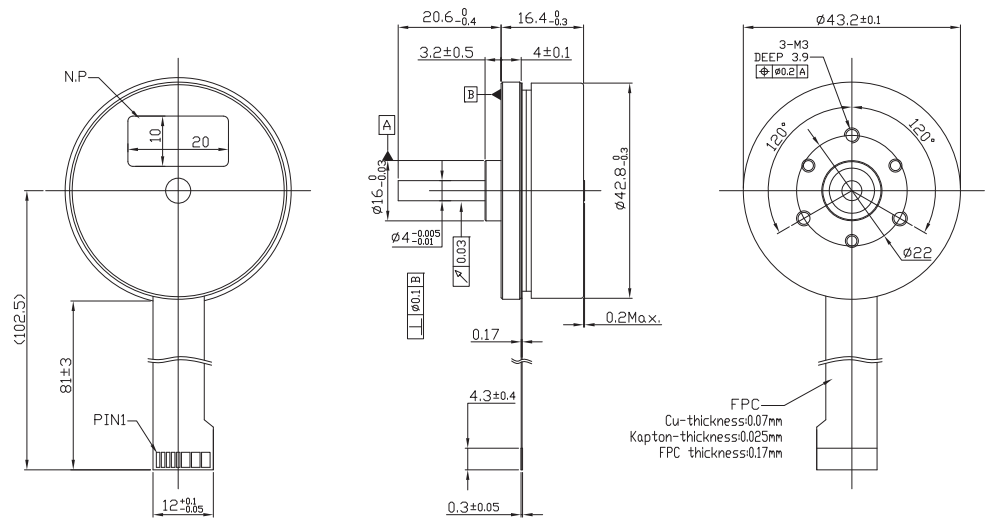


Brushless MOTOR

45BLW16 Flat



Characteristics

HALL EFFECT ANGLE
120 ° ELECTRIC ANGLE

SHAFT RUN OUT
0,03 MM

INSULATION CLASS
B

RADIAL PLAY
0,02 MM (450 G LOAD)

AXIAL PLAY
0,08 MM (450 G LOAD)

MAX RADIAL FORCE
28 N (10 MM FROM FLANGE)

MAX AXIAL FORCE
10 N

DIELECTRIC STRENGTH
500 VDC FOR ONE MINUTE

INSULATION RESISTANCE
100 M OHM MIN. 500 VDC

Specification

Model	45BLW16	
1 N° OF POLE	16	
2 N° OF PHASE	3	
3 RATED VOLTAGE	V	12
4 RATED SPEED	RPM	2910
5 RATED TORQUE	NM	0,055
6 MAX PEAK TORQUE	NM	0,16
7 TORQUE CONSTANT	Nm/A	0,026
8 LINE TO LINE RESISTANCE	Ω	0,9
9 LINE TO LINE INDUCTANCE	mH	0,34
10 MAX PEAK CURRENT	A	6,3
11 LENGTH	MM	16
12 ROTOR INERTIA	G-CM ²	92,5
13 WEIGHT	KG	0,08

Connection

PIN N°	COLOR	FUNCTION
1	PFC CABLE	4.5 - 24V
2	PFC CABLE	HALL C
3	PFC CABLE	HALL A
4	PFC CABLE	HALL B
5	PFC CABLE	GND
6	PFC CABLE	PHASE W
7	PFC CABLE	PHASE V
8	PFC CABLE	PHASE U

