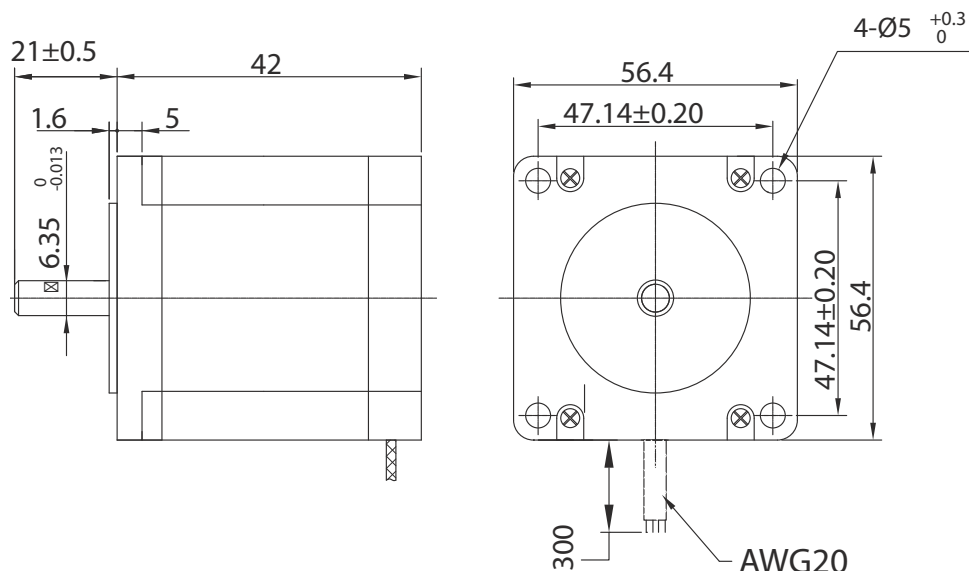
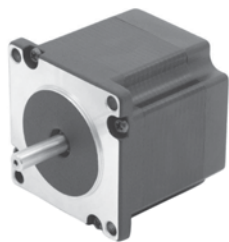


Stepper MOTOR

573P42 3Phase High Torque Hybrid



BE version: rear shaft 13mm- 2x M2.5 on diam. 46 mm

Characteristics

STEP ANGLE
1,2°

STEP ANGLE ACCURACY
± 5%

INSULATION CLASS
B

AMBIENT TEMPERATURE
-20°C +50°C

TEMP. RISE
80°C MAX (RATED CURRENT, 2 PHASE ON)

INSULATION RESISTANCE
100 M OHM MIN. 500 VDC

DIELECTRIC STRENGTH
500 VAC FOR ONE MINUTE

SHAFT RADIAL PLAY
0,02 MAX (450 G LOAD)

SHAFT AXIAL PLAY
0,08 MAX. (450 G LOAD)

MAX RADIAL FORCE
28 N (20 MM FROM FRONT FLANGE)

MAX AXIAL FORCE
10 N

Connection

LEAD N°	COLOR	GAUGE	FUNCTION
1	RED	UL1430 AWG26	PHASE U
2	ORANGE	UL1430 AWG26	PHASE U
3	WHITE	UL1430 AWG26	PHASE V
4	BLUE	UL1430 AWG26	PHASE V
5	YELLOW	UL1430 AWG26	PHASE W
6	GREEN	UL1430 AWG26	PHASE W

Specification

Model	573P42-5206A		
1 RATED VOLTAGE	V	6,76	
2 CURRENT/PHASE	A	5,2	
3 RESISTANCE/PHASE	Ω	1,3	
4 INDUCTANCE/PHASE	mH	1,4	
5 HOLDING TORQUE	Nm	0,45	
6 ROTOR INERTIA	g·CM ²	110	
7 WEIGHT	KG	0,45	
8 NUMBER OF LEADS	N°	6	

Speed vs. Torque Characteristics

