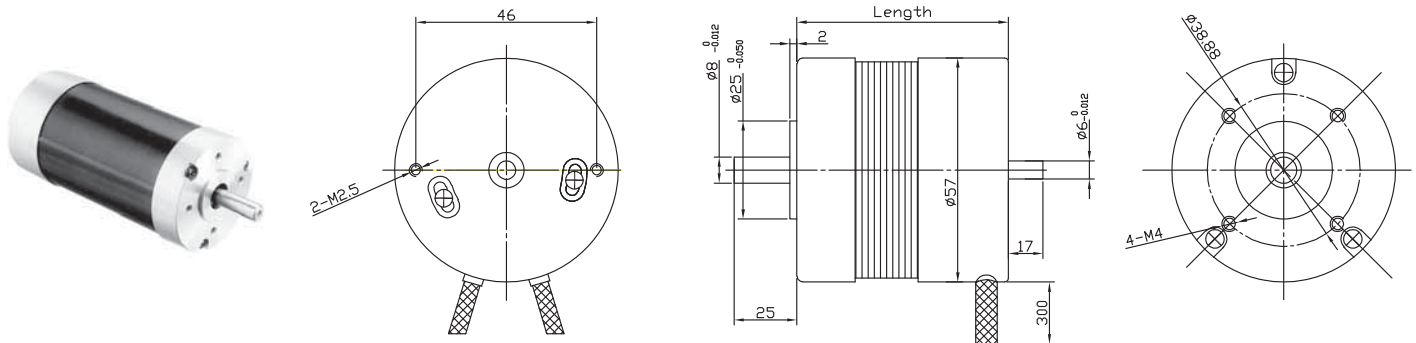


Brushless MOTOR

57BL



Characteristics

HALL EFFECT ANGLE
120 ° ELECTRIC ANGLE

SHAFT RUN OUT
0,025 MM

INSULATION CLASS
B

RADIAL PLAY
0,02 MM (450 G LOAD)

AXIAL PLAY
0,08 MM (450 G LOAD)

MAX RADIAL FORCE
75 N (10 MM FROM FLANGE)

MAX AXIAL FORCE
15 N

DIELECTRIC STRENGTH
500 VDC FOR ONE MINUTE

INSULATION RESISTANCE
100 M OHM MIN. 500 VDC

Specification

Model		57BL45	57BL54	57BL74	57BL94	57BL116
1	N° OF POLE	4	4	4	4	4
2	N° OF PHASE	3	3	3	3	3
3	RATED VOLTAGE	V	36	36	36	36
4	RATED SPEED	RPM	4000	4000	4000	4000
5	RATED TORQUE	NM	0,055	0,11	0,22	0,32
6	MAX PEAK TORQUE	NM	0,16	0,35	0,68	0,98
7	TORQUE CONSTANT	NM/A	0,053	0,063	0,063	0,063
8	LINE TO LINE RESISTANCE	Ω	4,1	1,5	0,65	0,45
9	LINE TO LINE INDUCTANCE	MH	10	4,5	2,1	1,4
10	MAX PEAK CURRENT	A	3,5	5,5	9,8	16,5
11	LENGTH	MM	45	54	74	94
12	ROTOR INERTIA	G-CM ²	30	75	119	173
13	WEIGHT	KG	0,25	0,5	0,75	1

Connection

LEAD N°	COLOR	GAUGE	FUNCTION
1	RED	UL1430 AWG26	VCC HALLSENSOR +5 TO +24 VDC
2	BLUE	UL1430 AWG26	HALL A
3	GREEN	UL1430 AWG26	HALL B
4	WHITE	UL1430 AWG26	HALL C
5	BLACK	UL1430 AWG26	GND HALL SENSOR
6	YELLOW	UL1430 AWG20	PHASE U
7	RED	UL1430 AWG20	PHASE V
8	BLACK	UL1430 AWG20	PHASE W

