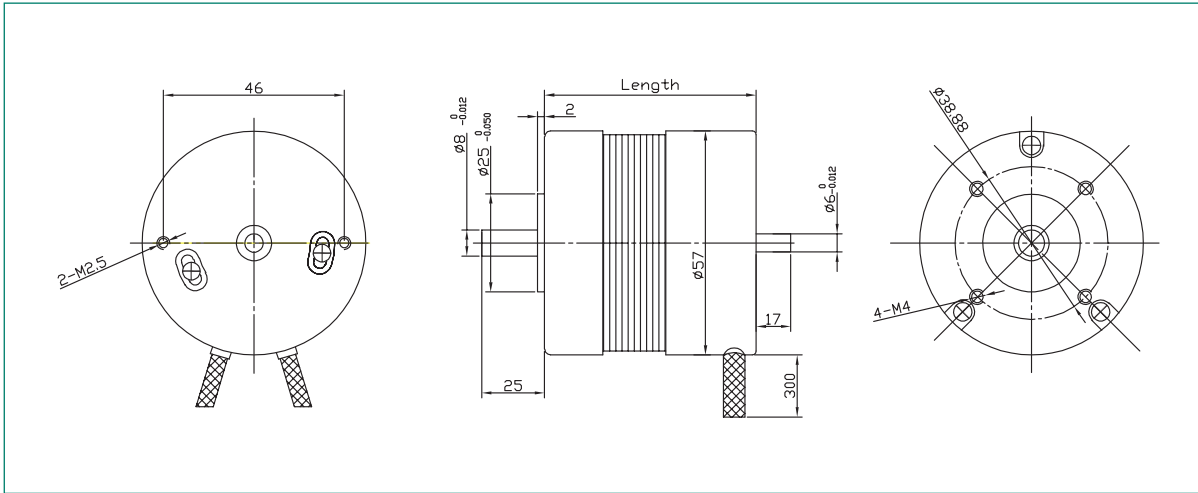


# Brushless MOTOR

## 57HBL

57HBL



### Characteristics

HALL EFFECT ANGLE  
120 ° ELECTRIC ANGLE

SHAFT RUN OUT  
0,025 MM

INSULATION CLASS  
B

RADIAL PLAY  
0,02 MM (450 G LOAD)

AXIAL PLAY  
0,08 MM (450 G LOAD)

MAX RADIAL FORCE  
75 N (10 MM FROM FLANGE)

MAX AXIAL FORCE  
15 N

DIELECTRIC STRENGTH  
500 VDC FOR ONE MINUTE

INSULATION RESISTANCE  
100 M OHM MIN. 500 VDC

### Specification

Model		57HBL54	57HBL69	57HBL74	57HBL94
1	N° OF POLE	6	6	6	6
2	N° OF PHASE	3	3	3	3
3	RATED VOLTAGE	V	24	24	24
4	RATED SPEED	RPM	3500	3500	3500
5	RATED TORQUE	NM	0,23	0,37	0,47
6	MAX PEAK TORQUE	NM	0,69	1,11	1,41
7	TORQUE CONSTANT	NM/A	0,045	0,046	0,05
8	LINE TO LINE RESISTANCE	Ω	0,57	0,24	0,22
9	LINE TO LINE INDUCTANCE	MH	0,63	0,29	0,29
10	MAX PEAK CURRENT	A	15	24	28
11	LENGTH	MM	53,6	68,6	73,6
12	ROTOR INERTIA	G-CM <sup>2</sup>	75	105	119
13	WEIGHT	KG	0,52	0,65	0,75

### Connection

LEAD N°	COLOR	GAUGE	FUNCTION
1	RED	UL1332 AWG22	VCC HALL SENSOR
-	-	-	+5 TO +24 VDC
2	BLUE	UL1332 AWG22	HALL A
3	GREEN	UL1332 AWG22	HALL B
4	WHITE	UL1332 AWG22	HALL C
5	BLACK	UL1332 AWG22	GND HALL
			SENSOR GROUND
6	YELLOW	UL1332 AWG18	PHASE U
7	RED	UL1332 AWG18	PHASE V
8	BLACK	UL1332 AWG18	PHASE W