

SPECIFICATION

Model		57SH56-1A	57SH56-2A	
1	RATED VOLTAGE	V	7,4	3,6
2	CURRENT/PHASE	A	1	2
3	RESISTANCE/PHASE	Ω	7,4	1,8
4	INDUCTANCE/PHASE	mH	10	2,5
5	HOLDING TORQUE	Nm	0,9	0,9
6	ROTOR INERTIA	g-cm ²	300	300
7	DETENT TORQUE	Kg-cm	0,4	0,4
8	WEIGHT	Kg	0,7	0,7
9	NUMBER OF LEADS		6	6
10	LENGTH	mm	56	56

CHARACTERISTICS

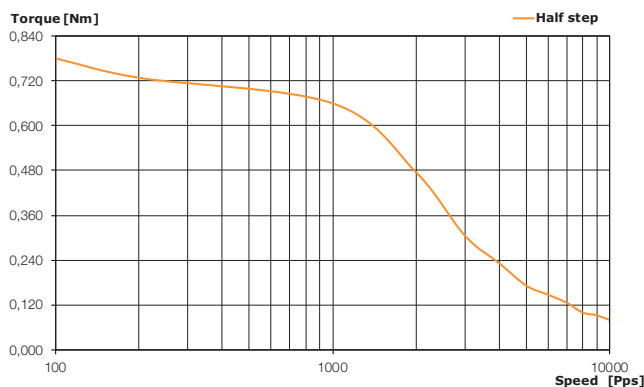
STEP ANGLE	1,8°
STEP ANGLE ACCURACY	± 5%
INSULATION CLASS	B
AMBIENT TEMPERATURE	-20°C +50°C
MAX TEMP. RISE (RATED CURRENT, 2 PHASE ON)	80°C
INSULATION RESISTANCE	100 Mohm min. 500 VDC
DIELECTRIC STRENGTH	500 VAC FOR ONE MINUTE
MAX SHAFT RADIAL PLAY (450 g LOAD)	0,02 mm
MAX SHAFT AXIAL PLAY (450 g LOAD)	0,08 mm
MAX RADIAL FORCE (20 mm FROM FRONT FLANGE)	75 N
MAX AXIAL FORCE	15 N

CONNECTION

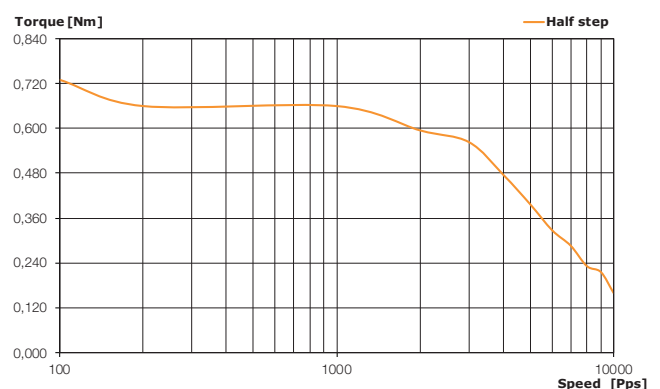
Lead N°	Color	Gauge	Function
1	BLACK	UL1061 AWG22	PHASE A
2	GREEN	UL1061 AWG22	PHASE A-
3	RED	UL1061 AWG22	PHASE B
4	BLUE	UL1061 AWG22	PHASE B-
UNIPOLAR MOTOR			
5	YELLOW	UL1061 AWG22	COM PHASE A
6	WHITE	UL1061 AWG22	COM PHASE B

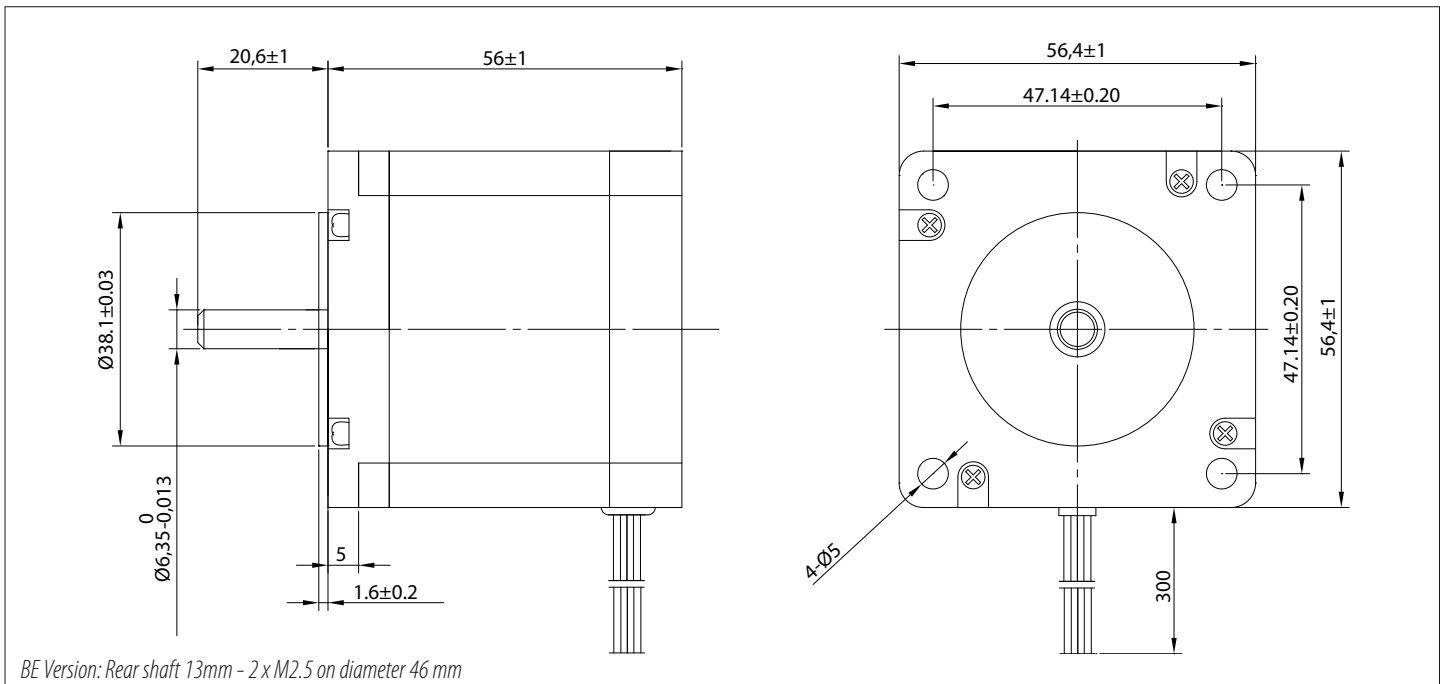


57SH56-1A VM: 30V; 1,0A /Phase Driver: SMD 103



57SH56-2A VM: 30V; 2,0A /Phase Driver: SMD 103





SPECIFICATION

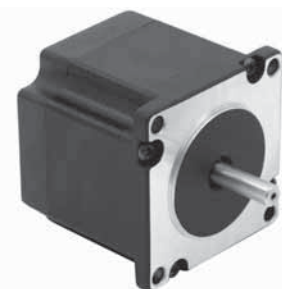
Model		57SH56-3A	57SH56-4A	
1	RATED VOLTAGE	V	2,3	2,5
2	CURRENT/PHASE	A	3	2,8
3	RESISTANCE/PHASE	Ω	0,75	0,9
4	INDUCTANCE/PHASE	mH	1,1	2,5
5	HOLDING TORQUE	Nm	0,9	1,26
6	ROTOR INERTIA	g-cm ²	300	300
7	DETENT TORQUE	Kg-cm	0,4	0,4
8	WEIGHT	Kg	0,7	0,7
9	NUMBER OF LEADS		6	4
10	LENGTH	mm	56	56

CHARACTERISTICS

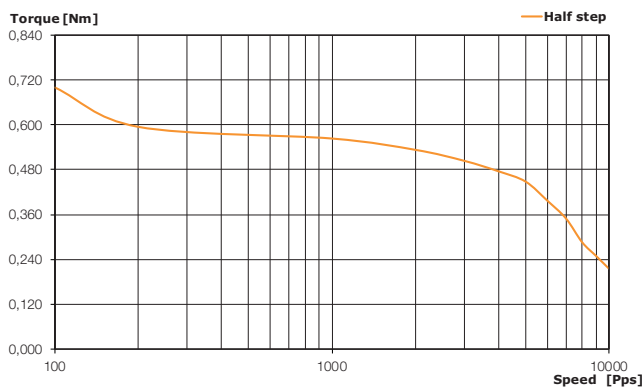
STEP ANGLE	1,8°
STEP ANGLE ACCURACY	± 5%
INSULATION CLASS	B
AMBIENT TEMPERATURE	-20°C +50°C
MAX TEMP. RISE (RATED CURRENT, 2 PHASE ON)	80°C
INSULATION RESISTANCE	100 Mohm min. 500 VDC
DIELECTRIC STRENGTH	500 VAC FOR ONE MINUTE
MAX SHAFT RADIAL PLAY (450 g LOAD)	0,02 mm
MAX SHAFT AXIAL PLAY (450 g LOAD)	0,08 mm
MAX RADIAL FORCE (20 mm FROM FRONT FLANGE)	75 N
MAX AXIAL FORCE	15 N

CONNECTION

Lead N°	Color	Gauge	Function
1	BLACK	UL1061 AWG22	PHASE A
2	GREEN	UL1061 AWG22	PHASE A-
3	RED	UL1061 AWG22	PHASE B
4	BLUE	UL1061 AWG22	PHASE B-
UNIPOLAR MOTOR			
5	YELLOW	UL1061 AWG22	COM PHASE A
6	WHITE	UL1061 AWG22	COM PHASE B



57SH56-3A VM: 30V; 3,0A /Phase Driver: SMD 506



57SH56-4A VM: 30V; 2,8A /Phase Driver: SMD 103

