

SPECIFICATION

Model		57SH76-1AM	57SH76-2AM	
1	RATED VOLTAGE	V	8,6	4,5
2	CURRENT/PHASE	A	1	2
3	RESISTANCE/PHASE	Ω	8,6	2,25
4	INDUCTANCE/PHASE	mH	23	5,6
5	HOLDING TORQUE	Nm	1,35	1,35
6	ROTOR INERTIA	g·cm ²	480	480
7	DETENT TORQUE	Kg·cm	0,68	0,68
8	WEIGHT	Kg	1	1
9	NUMBER OF LEADS		6	6
10	LENGTH	mm	76	76

CHARACTERISTICS

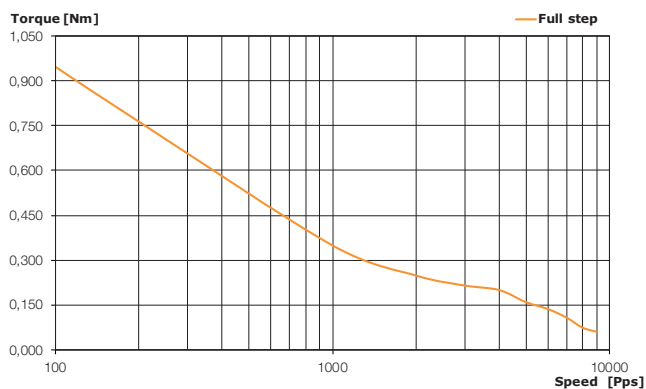
STEP ANGLE	0,9°
STEP ANGLE ACCURACY	± 5%
INSULATION CLASS	B
AMBIENT TEMPERATURE	-20°C +50°C
MAX TEMP. RISE (RATED CURRENT, 2 PHASE ON)	80°C
INSULATION RESISTANCE	100 Mohm min. 500 VDC
DIELECTRIC STRENGTH	500 VAC FOR ONE MINUTE
MAX SHAFT RADIAL PLAY (450 g LOAD)	0,02 mm
MAX SHAFT AXIAL PLAY (450 g LOAD)	0,08 mm
MAX RADIAL FORCE (20 mm FROM FRONT FLANGE)	75 N
MAX AXIAL FORCE	15 N

CONNECTION

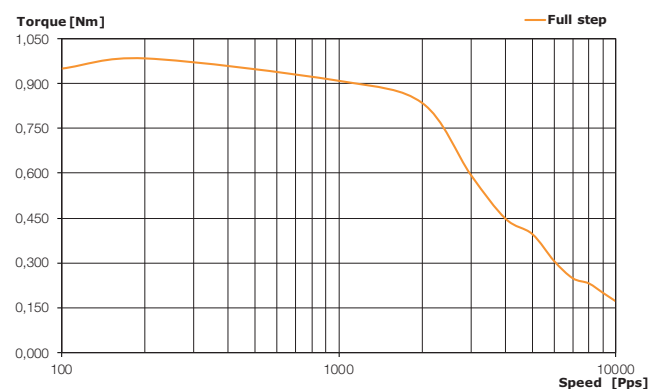
Lead N°	Color	Gauge	Function
1	BLACK	UL1061 AWG22	PHASE A
2	GREEN	UL1061 AWG22	PHASE A-
3	RED	UL1061 AWG22	PHASE B
4	BLUE	UL1061 AWG22	PHASE B-
UNIPOLAR MOTOR			
5	YELLOW	UL1061 AWG22	COM PHASE A
6	WHITE	UL1061 AWG22	COM PHASE B

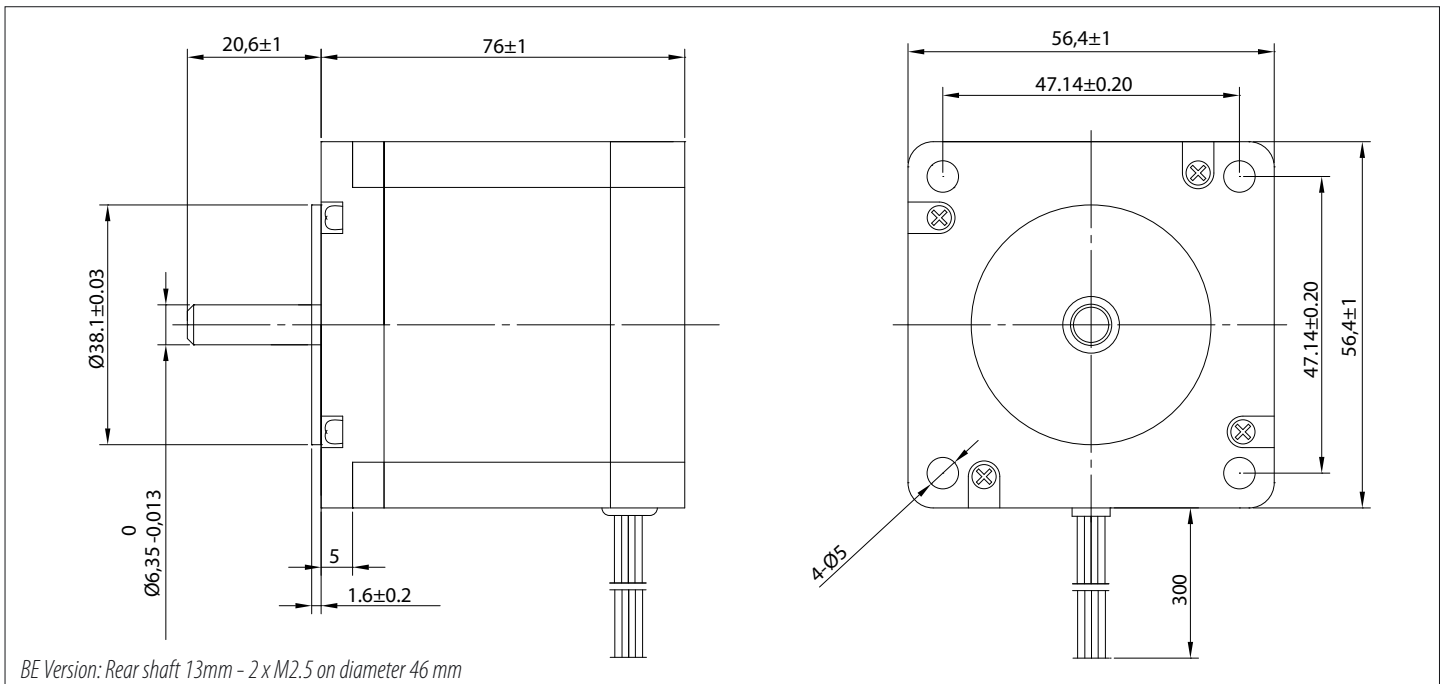


57SH76-1AM VM: 30V; 1,0A /Phase Driver: SMD 103



57SH76-2AM VM: 30V; 2,0A /Phase Driver: SMD 103





SPECIFICATION

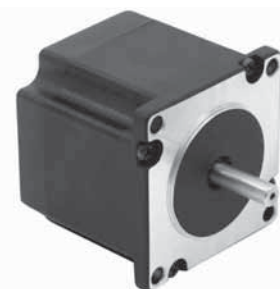
Model		57SH76-3AM	57SH76-4AM
1	RATED VOLTAGE	V	3, 3,2
2	CURRENT/PHASE	A	3, 2,8
3	RESISTANCE/PHASE	Ω	1, 1,13
4	INDUCTANCE/PHASE	mH	2,6, 5,6
5	HOLDING TORQUE	Nm	1,35, 1,8
6	ROTOR INERTIA	g-cm ²	480, 480
7	DETENT TORQUE	Kg-cm	0,68, 0,68
8	WEIGHT	Kg	1, 1
9	NUMBER OF LEADS		6, 4
10	LENGTH	mm	76, 76

CHARACTERISTICS

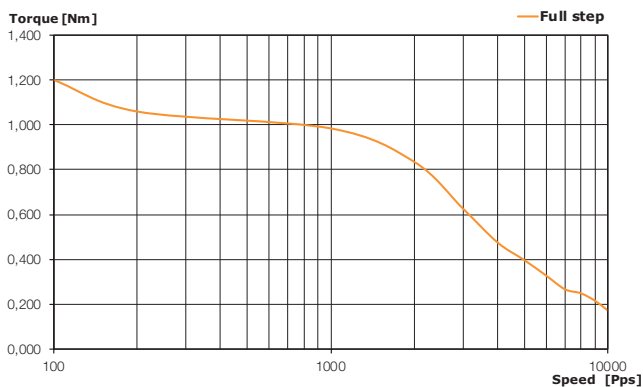
STEP ANGLE	0,9°
STEP ANGLE ACCURACY	± 5%
INSULATION CLASS	B
AMBIENT TEMPERATURE	-20°C +50°C
MAX TEMP. RISE (RATED CURRENT, 2 PHASE ON)	80°C
INSULATION RESISTANCE	100 Mohm min. 500 VDC
DIELECTRIC STRENGTH	500 VAC FOR ONE MINUTE
MAX SHAFT RADIAL PLAY (450 g LOAD)	0,02 mm
MAX SHAFT AXIAL PLAY (450 g LOAD)	0,08 mm
MAX RADIAL FORCE (20 mm FROM FRONT FLANGE)	75 N
MAX AXIAL FORCE	15 N

CONNECTION

Lead N°	Color	Gauge	Function
1	BLACK	UL1061 AWG22	PHASE A
2	GREEN	UL1061 AWG22	PHASE A-
3	RED	UL1061 AWG22	PHASE B
4	BLUE	UL1061 AWG22	PHASE B-
UNIPOLAR MOTOR			
5	YELLOW	UL1061 AWG22	COM PHASE A
6	WHITE	UL1061 AWG22	COM PHASE B



57SH76-3AM VM: 30V; 3,0A /Phase Driver: SMD 103



57SH76-4AM VM: 30V; 2,8A /Phase Driver: SMD 103

