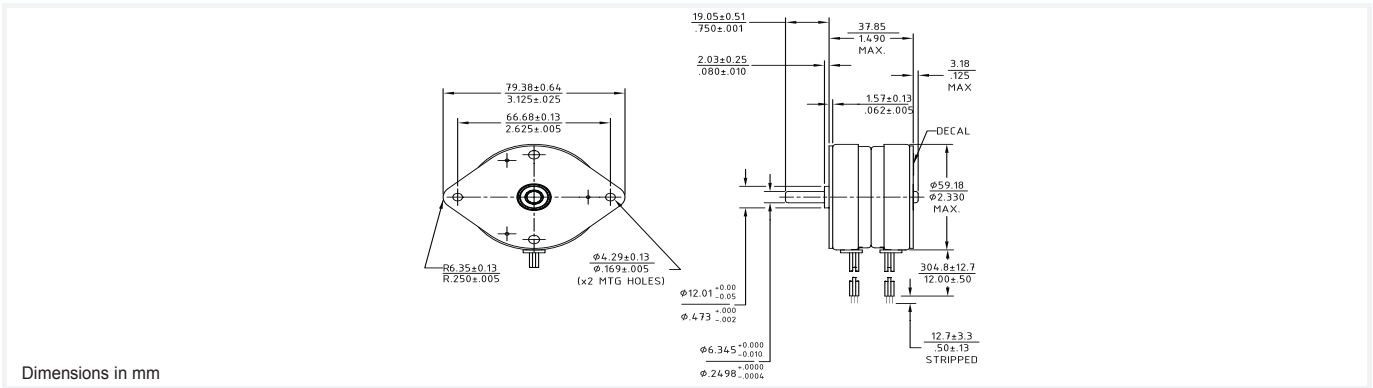


60L024B

RoHS Compliant

Ø60mm 169.5 mNm



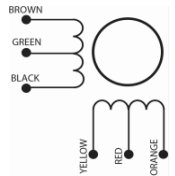
Dimensions in mm

60L024B

Electrical Data	60L024B1U Unipolar	60L024B2U Unipolar	60L024B1B Bipolar	60L024B2B Bipolar	
1 Operating Voltage	5	12	5	12	VDC
2 Resistance per Phase, ± 10%	4.6	26.2	4.6	26.2	Ohms
3 Inductance per Phase, typ	6.0	32.0	11.5	65.0	mH
4 Rated Current per Phase *	1.09	0.46	1.09	0.46	A
Coil independent parameters					
5 Holding Torque, MIN *	130.64 (18.5)	130.64 (18.5)	169.48 (24)	169.48 (24)	mNm (oz-in)
6 Detent Torque, Max		28.25 (4)			mNm (oz-in)
7 Rotor Inertia		95 (0.52)			gcm ² (oz-in-s ²)
8 Step Angle		15.0			Degree
9 Absolute accuracy 2 ph. On, Full step		±1			Degree
10 Steps per Revolution		24			
11 Ambient Temp Range (operating)		-20 TO 70 (-4 TO 158)			°C (°F)
12 Maximum Coil Temperature		130 (266)			°C (°F)
13 Bearing Type		Sintered Bronze Sleeve			
14 Insulation Resistance at 500 VDC		100			Mohms
15 Dielectric Withstanding Voltage		650 VRMS for 2 seconds			VAC
16 Weight		440 (15.5)			g (oz)
17 Leadwire		AWG#24, UL 1430 (105°, 300V)			

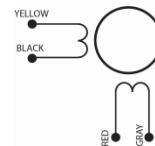
All Motor Data Values at 20°C Unless Otherwise Specified

* Energize at Rated Current, 2 Phase On



UNIPOLAR COIL				
YELLOW	ORANGE	BROWN	BLACK	RED/GREEN
+	-	+	-	+
-	-	-	+	+
+	+	+	-	+
-	-	+	-	+

VIEWED FROM OUTPUT SHAFT



BIPOLAR COIL			
RED	GRAY	YELLOW	BLACK
+	-	+	-
+	-	-	+
-	+	-	+
-	+	+	-

VIEWED FROM OUTPUT SHAFT

