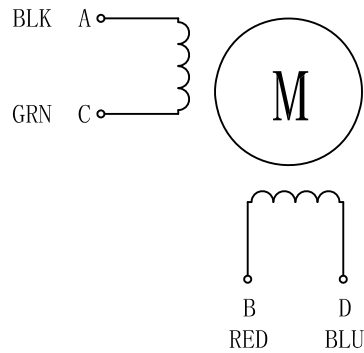


60SH86-2804AF.000 HYBRID STEPPING MOTOR

Specifications:

MODEL	PHASE	STEP ANGLE DEG /STEP	RATED VOLTAGE V	CURRENT /PHASE A	RESISTANCE /PHASE Ω	INDUCTANCE /PHASE mH	HOLDING TORQUE Kg·cm	ROTOR INERTIA g·cm ²	WEIGHT Kg
parallel	2	1.8	4.17	2.8	1.49	6.8	31	840	1.4

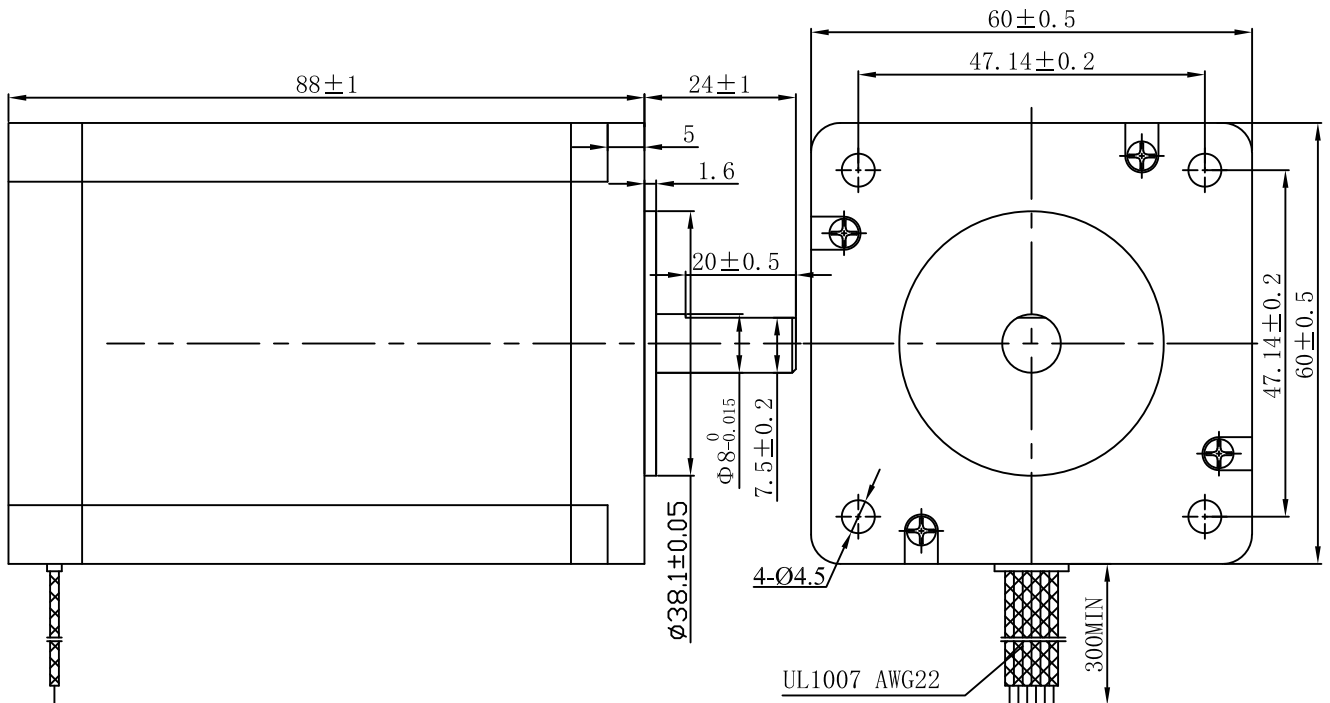
Wiring Diagram:



CW DIRECTION	STEP	A	C	B	D
↓	1	+		+	
	2		+	+	
	3		+		+
	4	+			+
	1	+		+	

CW SEE FROM SHAFT END

Dimension:



Revision			
DESIGN		TITLE: SPECIFICATION	FX3.162. SS
CHECK			
PROC.			
STANDARD			FULLING MOTOR
APPROVE			