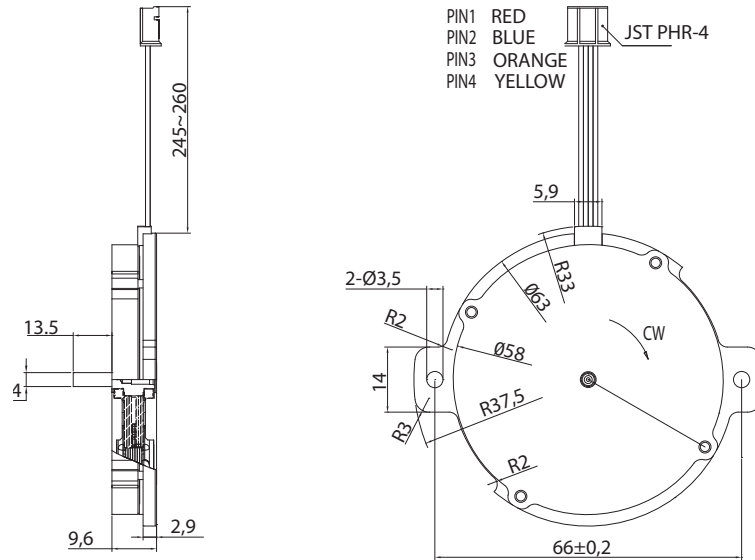


Stepper MOTOR

63S10 Flat High Torque Hybrid



Characteristics

STEP ANGLE
1,8°

STEP ANGLE ACCURACY
± 5%

INSULATION CLASS
E

AMBIENT TEMPERATURE
-10°C +50°C

TEMP. RISE
75°C MAX (RATED CURRENT, 2 PHASE ON)

INSULATION RESISTANCE
100 M OHM MIN. 500 VDC

DIELECTRIC STRENGTH
500 VAC FOR ONE MINUTE

SHAFT RADIAL PLAY
0,06 MAX (450 G LOAD)

SHAFT AXIAL PLAY
0,04 MAX. (450 G LOAD)

MAX RADIAL FORCE
4.5 N (10 MM FROM FRONT FLANGE)

MAX AXIAL FORCE
2 N

Connection

LEAD N°	COLOR	GAUGE	FUNCTION
1	RED	UL1061 AWG26	PHASE A
2	BLUE	UL1061 AWG26	PHASE A-
3	ORANGE	UL1061 AWG26	PHASE B
4	YELLOW	UL1061 AWG26	PHASE B-

Specification

Model	63S10-1004A		
1 RATED VOLTAGE	V	3,8	
2 CURRENT/PHASE	A	1	
3 RESISTANCE/PHASE	Ω	3,8	
4 INDUCTANCE/PHASE	mH	2	
5 HOLDING TORQUE	NM	0,064	
6 ROTOR INERTIA	G-CM ²	16	
7 WEIGHT	KG	0,095	
8 NUMBER OF LEADS	N°	4	

Speed vs. Torque Characteristics

