

SPECIFICATION

Model		80BLS84	80BLS105	
1	N° OF POLE	8	8	
2	N° OF PHASE	3	3	
3	RATED VOLTAGE	V	48	48
4	RATED SPEED	rpm	3000	3000
5	RATED TORQUE	Nm	0,9	1,7
6	MAX PEAK TORQUE	Nm	2,5	5
7	TORQUE CONSTANT	Nm/A	0,118	0,113
8	LINE TO LINE RESISTANCE	Ω	0,25	0,10
9	LINE TO LINE INDUCTANCE	mH	1,3	0,6
10	MAX PEAK CURRENT	A	22	45
11	RATED CURRENT	A	7,63	15,04
12	NO-LOAD CURRENT	mA	500	700
13	LENGTH	mm	84	105
14	ROTOR INERTIA	g-cm ²	544	1020
15	WEIGHT	Kg	1,6	2

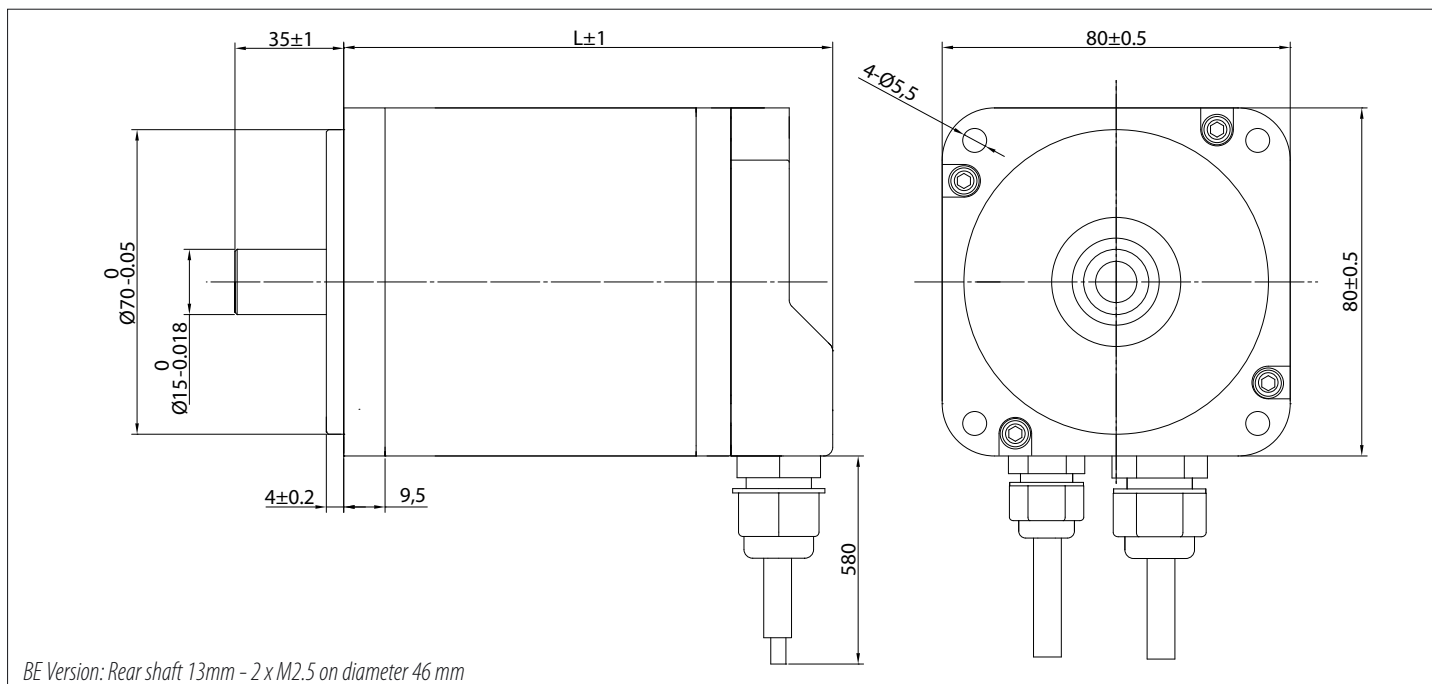


CONNECTION

Lead N°	Color	Gauge	Function
1	RED	UL1332 AWG22	VCC HALL SENSOR +5 TO +24VDC
2	BLUE	UL1332 AWG22	HALL A
3	GREEN	UL1332 AWG22	HALL B
4	WHITE	UL1332 AWG22	HALL C
5	BLACK	UL1332 AWG22	HALL SENSOR GROUND
6	YELLOW	UL3135 AWG14	PHASE U
7	RED	UL3135 AWG14	PHASE V
8	BLACK	UL3135 AWG14	PHASE W

CHARACTERISTICS

Item	
HALL EFFECT ANGLE	120°
SHAFT RUN OUT	0,05 mm
INSULATION CLASS	F
RADIAL PLAY (450 g LOAD)	0,02 mm
AXIAL PLAY (450 g LOAD)	0,08 mm
MAX RADIAL FORCE (20 mm FROM FRONT FLANGE)	115N
MAX AXIAL FORCE	45N
DIELECTRIC STRENGTH	500 VDC FOR ONE MINUTE
INSULATION RESISTANCE	100 Mohm min. 500 VDC



SPECIFICATION

Model		80BLS120	80BLS125
1	N° OF POLE	8	8
2	N° OF PHASE	3	3
3	RATED VOLTAGE	V	48
4	RATED SPEED	rpm	3000
5	RATED TORQUE	Nm	2,2
6	MAX PEAK TORQUE	Nm	6,5
7	TORQUE CONSTANT	Nm/A	0,109
8	LINE TO LINE RESISTANCE	Ω	0,07
9	LINE TO LINE INDUCTANCE	mH	0,4
10	MAX PEAK CURRENT	A	61
11	RATED CURRENT	A	20,18
12	NO-LOAD CURRENT	mA	1000
13	LENGTH	mm	120
14	ROTOR INERTIA	g-cm ²	1360
15	WEIGHT	Kg	2,5



CONNECTION

Lead N°	Color	Gauge	Function
1	RED	UL1332 AWG22	VCC HALL SENSOR +5 TO +24VDC
2	BLUE	UL1332 AWG22	HALL A
3	GREEN	UL1332 AWG22	HALL B
4	WHITE	UL1332 AWG22	HALL C
5	BLACK	UL1332 AWG22	HALL SENSOR GROUND
6	YELLOW	UL3135 AWG14	PHASE U
7	RED	UL3135 AWG14	PHASE V
8	BLACK	UL3135 AWG14	PHASE W

CHARACTERISTICS

Item	
HALL EFFECT ANGLE	120°
SHAFT RUN OUT	0,05 mm
INSULATION CLASS	F
RADIAL PLAY (450 g LOAD)	0,02 mm
AXIAL PLAY (450 g LOAD)	0,08 mm
MAX RADIAL FORCE (20 mm FROM FRONT FLANGE)	115N
MAX AXIAL FORCE	45N
DIELECTRIC STRENGTH	500 VDC FOR ONE MINUTE
INSULATION RESISTANCE	100 Mohm min. 500 VDC