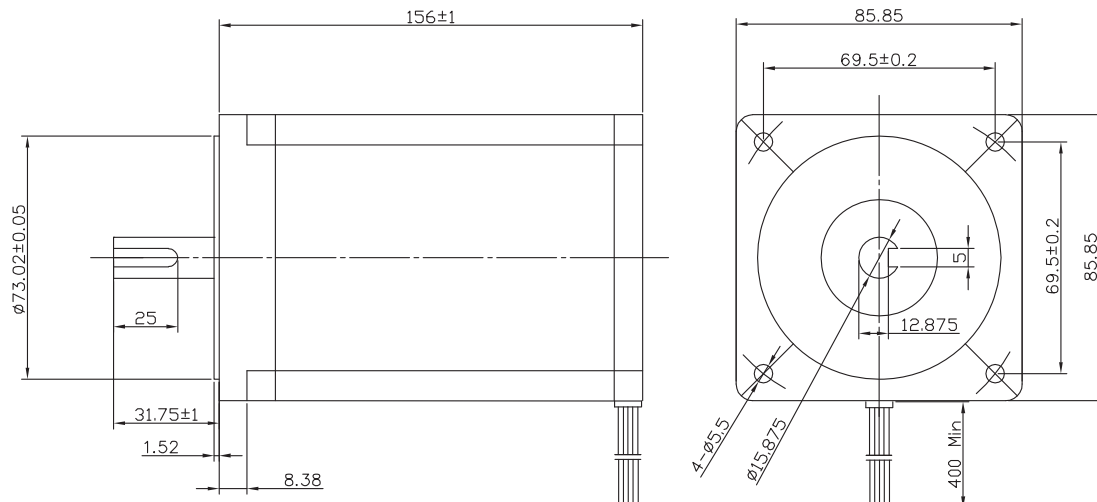
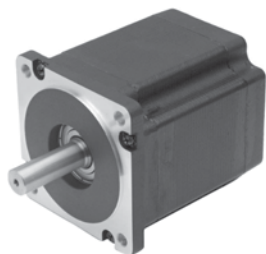


Stepper MOTOR

86SH156 High Torque Hybrid



BE version: rear shaft 13mm- 2x M2.5 on diam. 46 mm

Characteristics

STEP ANGLE
1,8°

STEP ANGLE ACCURACY
± 5%

INSULATION CLASS
B

AMBIENT TEMPERATURE
-20°C +50°C

TEMP. RISE
80°C MAX (RATED CURRENT, 2 PHASE ON)

INSULATION RESISTANCE
100 M OHM MIN. 500 VDC

DIELECTRIC STRENGTH
820 VAC FOR ONE MINUTE

SHAFT RADIAL PLAY
0,02 MAX (450 G LOAD)

SHAFT AXIAL PLAY
0,08 MAX. (450 G LOAD)

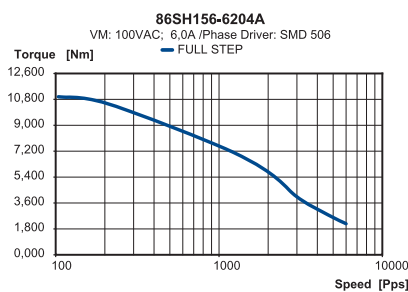
MAX RADIAL FORCE
220 N (20 MM FROM FRONT FLANGE)

MAX AXIAL FORCE
60 N

Specification

Model	86SH156-6204A		
1 RATED VOLTAGE	V	3,5	
2 CURRENT/PHASE	A	6,2	
3 RESISTANCE/PHASE	Ω	0,75	
4 INDUCTANCE/PHASE	mH	9	
5 HOLDING TORQUE	NM	12,8	
6 ROTOR INERTIA	G-CM ²	4000	
7 WEIGHT	KG	5,4	
8 NUMBER OF LEADS	N°	4	

Speed vs. Torque Characteristics



Connection

LEAD N°	COLOR	GAUGE	FUNCTION
1	RED	UL1430 AWG20	PHASE A
2	WHITE	UL1430 AWG20	PHASE A-
3	YELLOW	UL1430 AWG20	PHASE B
4	GREEN	UL1430 AWG20	PHASE B-

