

## SPECIFICATION

Technical data	Unit	GP42-S1-3.93	GP42-S1-4.27	GP42-S1-5.25	GP42-S1-6.00	GP42-S1-7.07
NUMBER OF STAGES		1-STAGE	1-STAGE	1-STAGE	1-STAGE	1-STAGE
EXACT RATIO		3,931	4,269	5,250	6,000	7,071
NOMINAL OUTPUT TORQUE						
FOR L10h = 5,000 h	Nm	7,66	4,25	6,40	3,12	3,00
MAX. OUTPUT TORQUE	Nm	15,32	8,50	12,80	6,24	6,00
RECOMMENDED INPUT SPEED	rpm	3000	3000	3000	3000	3000
MAX. INPUT SPEED	rpm	8236	9187	11943	14050	17061
EFFICIENCY	%	90%	90%	90%	90%	90%
NOISE (N=3500 RPM, L = 1 M)	dB	≤ 55	≤ 55	≤ 55	≤ 55	≤ 55
BACKLASH WITH 2%						
OF THE RATED TORQUE	arcmin	≤ 60	≤ 60	≤ 60	≤ 60	≤ 60
LENGTH	mm	42,70	42,70	42,70	42,70	42,70
GEARBOX WEIGHT	kg	0,28	0,28	0,28	0,28	0,28

## CHARACTERISTICS

Item	
HOUSING MATERIAL	METAL
BEARING OUTPUT	BALL BEARINGS
OPERATING TEMPERATURE	-15°C + 90° C
MAX RADIAL LOAD (CENTER OF SHAFT)	386 N
MAX ARIAL LOAD	1641 N
MAX PRESS-FIT FORCE	320N
PROTECTION CLASS	IP54

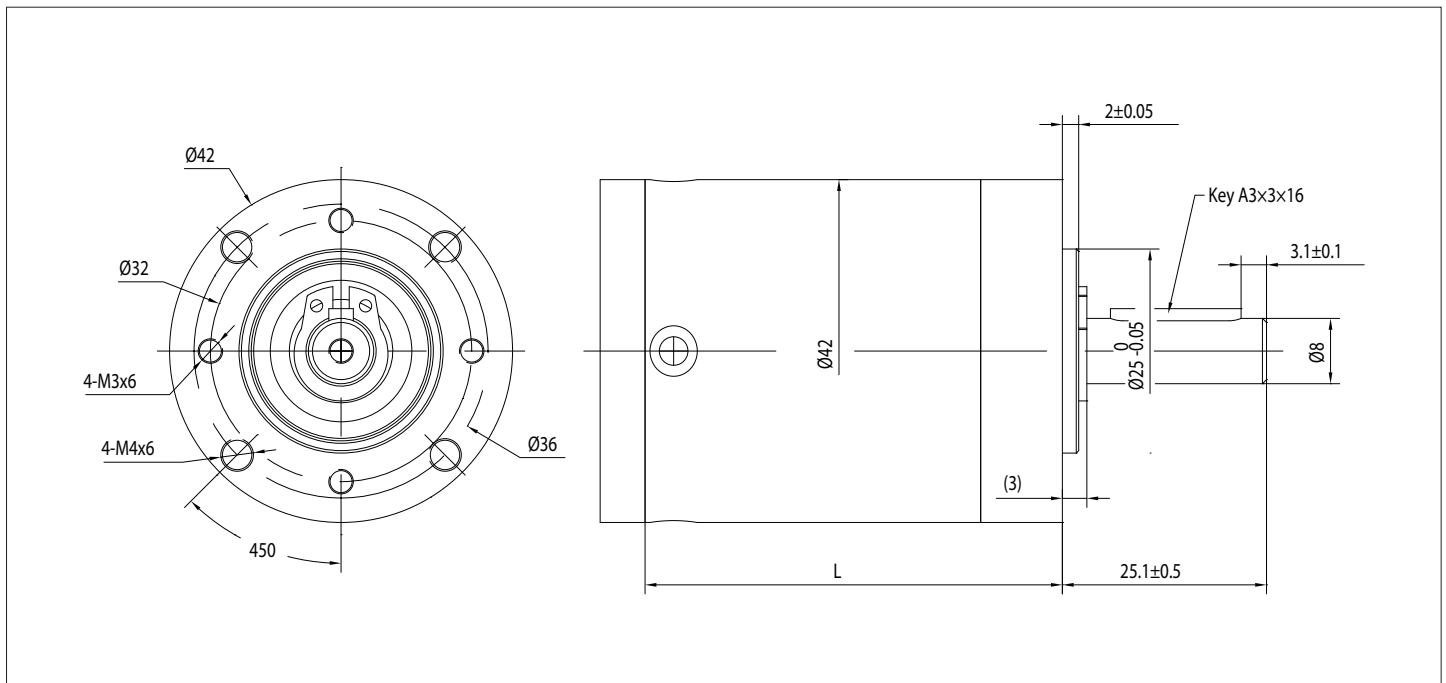
## PRODUCT COMBINATION

- BRUSHLESS MOTORS
    - 45BLW
    - 42BL
    - 57BL
  - STEPPER MOTORS
    - 42SH
- AND OTHER COMBINATION ON REQUEST

## SPECIAL SOLUTION

- HIGH RADIAL LOAD
- LOW NOISE
- OTHER RATIOS ON REQUEST
- ROUND FLANGES





## SPECIFICATION

Technical data	Unit	GP42-S2-8.73	GP42-S2-15.45	GP42-S2-20.63	GP42-S2-25.61	GP42-S2-45.82
NUMBER OF STAGES		1-STAGE	2-STAGES	2-STAGES	2-STAGES	2-STAGES
EXACT RATIO		8,727	15,453	20,630	25,610	45,818
NOMINAL OUTPUT TORQUE						
FOR L10h = 5,000 h	Nm	1,47	9,80	9,80	6,45	7,33
MAX. OUTPUT TORQUE	Nm	2,94	19,12	19,61	12,90	14,66
RECOMMENDED INPUT SPEED	rpm	3000	3000	3000	3000	3000
MAX. INPUT SPEED	rpm	18000	8236	11943	14050	18000
EFFICIENCY	%	90%	85%	85%	85%	85%
NOISE (N=3500 RPM, L = 1 M)	dB	≤ 55	≤ 55	≤ 55	≤ 55	≤ 55
BACKLASH WITH 2% OF THE RATED TORQUE						
	arcmin	≤ 60	≤ 60	≤ 60	≤ 60	≤ 60
LENGTH	mm	42,70	56,60	56,60	56,60	56,60
GEARBOX WEIGHT	kg	0,28	0,40	0,40	0,40	0,40

## CHARACTERISTICS

Item	
HOUSING MATERIAL	METAL
BEARING OUTPUT	BALL BEARINGS
OPERATING TEMPERATURE	-15°C + 90° C
MAX RADIAL LOAD (CENTER OF SHAFT)	386 N
MAX ARIAL LOAD	1641 N
MAX PRESS-FIT FORCE	320N
PROTECTION CLASS	IP54

## PRODUCT COMBINATION

- BRUSHLESS MOTORS
    - 45BLW
    - 42BL
    - 57BL
  - STEPPER MOTORS
    - 42SH
- AND OTHER COMBINATION ON REQUEST

## SPECIAL SOLUTION

- HIGH RADIAL LOAD
- LOW NOISE
- OTHER RATIOS ON REQUEST
- ROUND FLANGES

