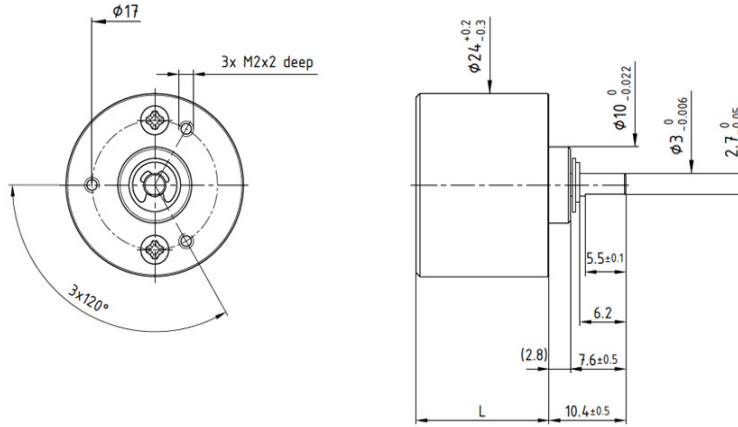


K24

Spur Gearbox

Ø 24mm

0.17 Nm



Dimensions in mm

Ratio	****	5	8	20	32	64	128	320	800	2048
1	Number of Gear Stages	2	2	4	4	4	4	6	6	6
2	Direction of Rotation	=	=	=	=	=	=	=	=	=
3	Efficiency	0.85	0.85	0.75	0.75	0.75	0.75	0.65	0.65	0.65
4	L (mm)	15	15	18	18	18	18	21	21	21
5	Weight g (oz)	15 (0.529)	15 (0.529)	18 (0.634)	18 (0.634)	18 (0.634)	18 (0.634)	20 (0.705)	20 (0.705)	20 (0.705)
6	Available with Motor - L2 = Length with motor (mm)									
	22V28	49.4	49.4	52.4	52.4	52.4	52.4	55.4	55.4	55.4
	22V48	51.2	51.2	54.2	54.2	54.2	54.2	57.2	57.2	57.2
	22N78	47	47	50	50	50	50	53	53	53
	22N98	48.9	48.9	51.9	51.9	51.9	51.9	54.9	54.9	54.9
	26N58	58.3	58.3	61.3	61.3	61.3	61.3	64.3	64.3	64.3
	26N48	57.1	57.1	60.1	60.1	60.1	60.1	63.1	63.1	63.1
	P310	32.4	32.4	35.4	35.4	35.4	35.4	38.4	38.4	38.4
	22DCP/24DCT	50.2	50.2	53.2	53.2	53.2	53.2	56.2	56.2	56.2

Characteristics		K24 • 0 •	K24 2R • 0 •
7	Shaft Bearings	Sleeve	Ball Bearing
8	Maximum Static Torque	Nm (oz-in)	0.7 (100)
9	Maximum Radial Force		
	@ 8mm from mounting face	N (lb)	20 (4.5)
10	Maximum Axial Force	N (lb)	10 (2.2)
11	Maximum Press Fit Force	N (lb)	30 (6.7)
12	Average Backlash @ no-load		1.5°
13	Average Backlash @ 0.3 Nm Shaft Play:		2.5°
14	-radial	µm	≤ 40
15	-axial	µm	50-150
16	Maximum Recommended Input Speed	rpm	5000
17	Operating Temperature Range:	°C (°F)	-30 to +65 (-22 to +150)

Motor + gearbox = L2



V09212016

