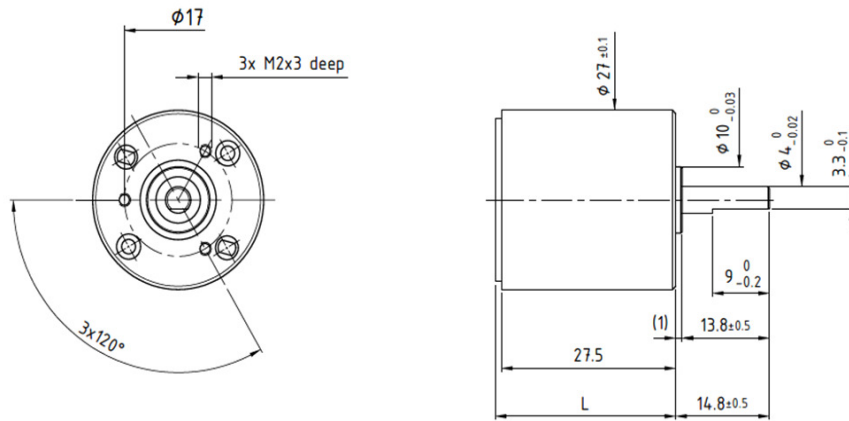


**K27**

Spur Gearbox

Ø 27mm

0.4 Nm

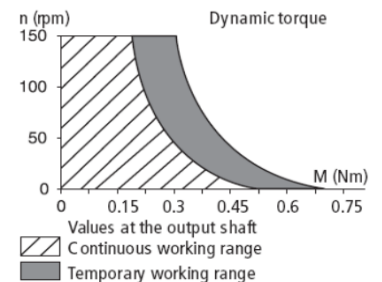


Dimensions in mm

Ratio	****	6.2	18.6	27.9	55.7	99.1	198	501	979	2970
1	Number of Gear Stages	4	4	4	4	6	6	6	6	9
2	Direction of Rotation	=	=	=	=	=	=	=	=	≠
3	Efficiency	0.65	0.65	0.65	0.65	0.55	0.55	0.55	0.55	0.4
4	L (mm)	28.5	28.5	28.5	28.5	28.5	28.5	28.5	28.5	28.5
5	Weight g (oz)	40 (1.410)	40 (1.410)	40 (1.410)	40 (1.410)	42 (1.481)	42 (1.481)	42 (1.481)	42 (1.481)	48 (1.693)
6	Available with Motor - L2 = Length with motor (mm)									
	<b>22V28</b>	62.9	62.9	62.9	62.9	62.9	62.9	62.9	62.9	62.9
	<b>22V48</b>	64.7	64.7	64.7	64.7	64.7	64.7	64.7	64.7	64.7
	<b>22N78</b>	60.5	60.5	60.5	60.5	60.5	60.5	60.5	60.5	60.5
	<b>22N98</b>	62.4	62.4	62.4	62.4	62.4	62.4	62.4	62.4	62.4
	<b>23GST82</b>	63.6	63.6	63.6	63.6	63.6	63.6	63.6	63.6	63.6
	<b>26N58</b>	71.8	71.8	71.8	71.8	71.8	71.8	71.8	71.8	71.8
	<b>26N48</b>	70.6	70.6	70.6	70.6	70.6	70.6	70.6	70.6	70.6
	<b>P310</b>	45.9	45.9	45.9	45.9	45.9	45.9	45.9	45.9	45.9
	<b>22DCP/24DCT</b>	60.5	60.5	60.5	60.5	60.5	60.5	60.5	60.5	60.5

Characteristics		K27 · 0 · ....	K27 2R · 0 · ....
7	Shaft Bearings	Sleeve	Ball Bearing
8	Maximum Static Torque	Nm (oz-in)	0.7 (100)
9	Maximum Radial Force @ 8mm from mounting face	N (lb)	20 (4.5)
10	Maximum Axial Force	N (lb)	40 (9)
11	Maximum Press Fit Force	N (lb)	60 (13.5)
12	Average Backlash @ no-load	2°	2°
13	Average Backlash @ 0.3 Nm Shaft Play:	3°	3°
14	-radial	µm	≤ 60
15	-axial	µm	50-150
16	Maximum Recommended Input Speed	rpm	4000
17	Operating Temperature Range:	°C (°F)	-30 to +65 (-22 to +150)

**Motor + gearbox = L2**



V09212016