



OPTIONS



VERSIONS

Type	Force N	Feed mm/s	Pitch of screw mm	Resolution $\mu\text{m}/\text{step}$	Current per Winding A	Resistance per Winding Ohm	Weight kg	Stroke „A“ mm	Housing Length „B“ mm	Length „A“ mm
L5918S2008-T10x2-A	800	70	2	10	2	1.5	0.8/0.85	25/50	47/72	51
L5918S2008-T10x6-A	500	130	6	30	2	1.5	0.8/0.85	25/50	47/72	51
L5918L3008-T10x2-A	1000	80	2	10	3	1	1.15/1.20	25/50	47/72	76

ORDER IDENTIFIER

L5918S2008-T10X2-
 A25 = 25 mm Stroke „A“
 A50 = 50 mm Stroke „A“



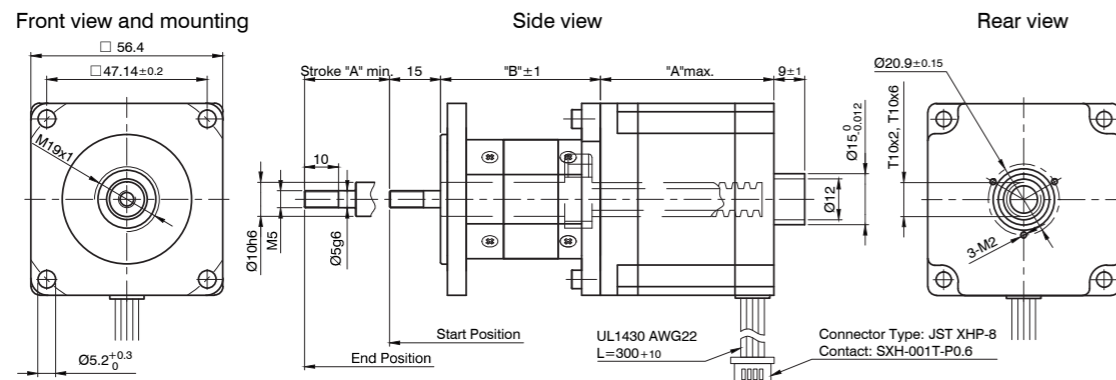
CAUTION



The force and power ratings specified in the data sheets are based on a duty cycle of 10% to 20% and must be reduced for higher values. Moving against fixed end stops should be avoided.

DIMENSIONS (IN MM)

L5918-A



TORQUE CURVES

