



OPTIONS



VERSIONS

Type	Force N	Feed mm/s	Pitch of screw mm	Resolution $\mu\text{m}/\text{step}$	Current per Winding A	Resistance per Winding Ohm	Inductance per Winding mH	Weight kg	Bushing Length „L“ mm	Length „A“ mm
L5918S2008-T10X2	800	70	2	10	2	1.5	2.6	0.65	25	51
L5918S2008-T10X6	500	130	6	30	2	1.5	2.6	0.65	25	51
L5918L3008-T10X2	1000	80	2	10	3	1	2.2	1	25	76

ORDER IDENTIFIER

L5918S2008-T10X2



ACCESSORIES

- ZST10-2-200-1 Threaded Screw
- ZST10-2-300-1 Threaded Screw
- ZST10-2-1050 Threaded Screw
- ZST10-6-200-1 Threaded Screw
- ZST10-6-300-1 Threaded Screw
- ZST10-6-1000 Threaded Screw
- LSNUT-T10X2-F Threaded Nut
- LSNUT-T10X6-F Threaded Nut
- Nanolube Lubricant

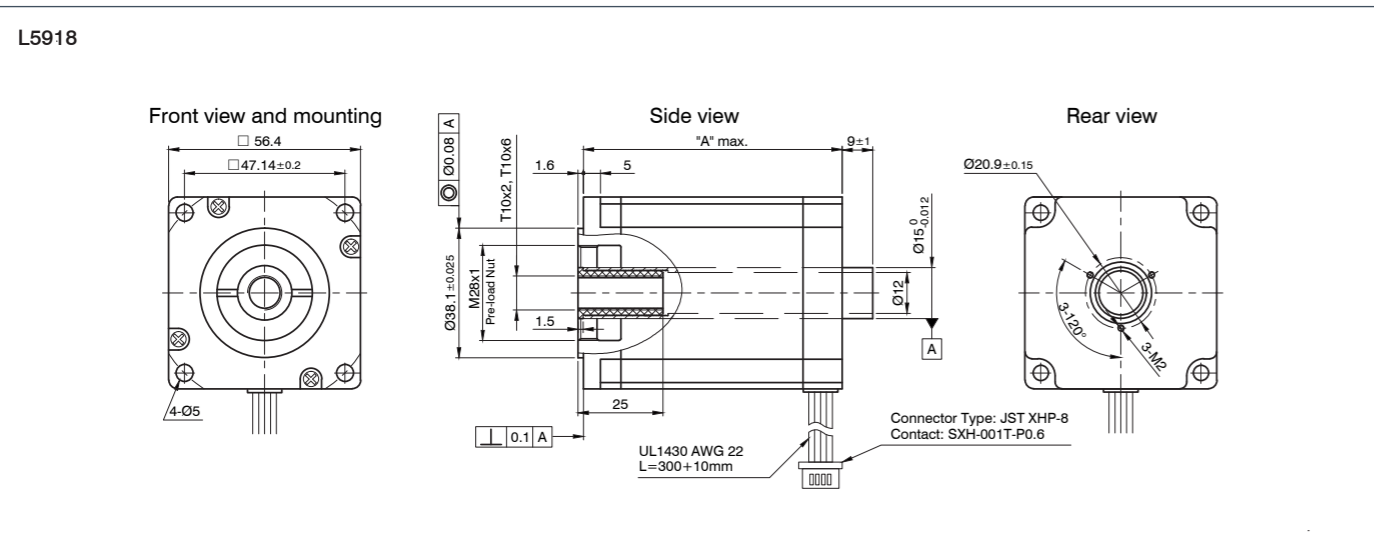


CAUTION



The force and power ratings specified in the data sheets are based on a duty cycle of 10% to 20% and must be reduced for higher values. Moving against fixed end stops should be avoided.

DIMENSIONS (IN MM)



TORQUE CURVES

