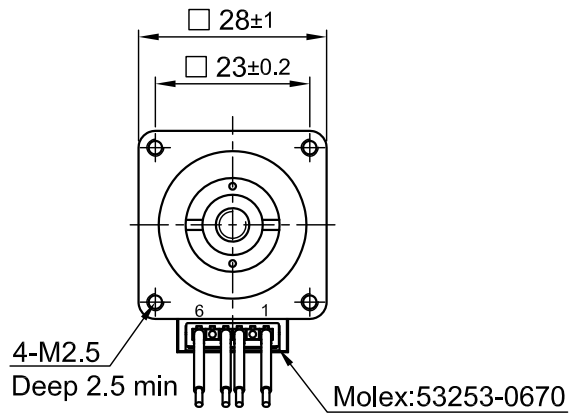
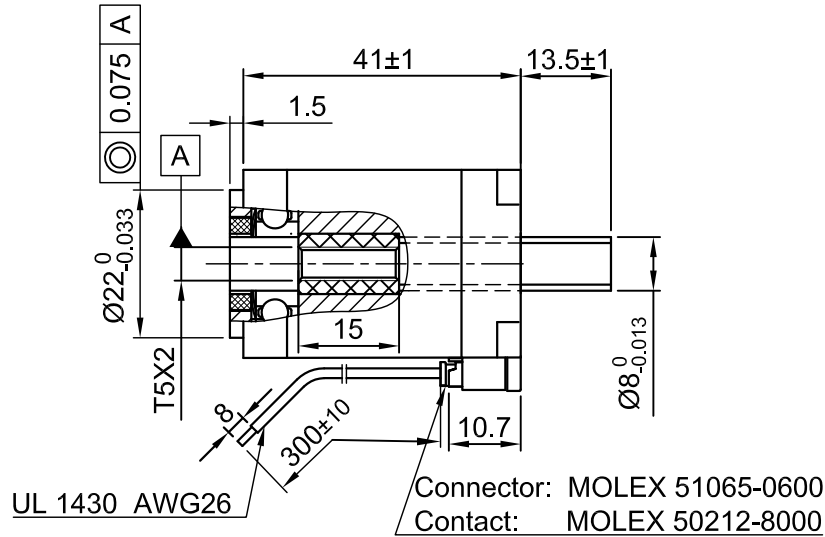


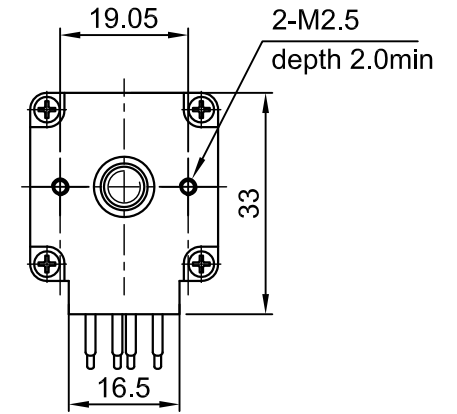
Front view and mounting



Side view



Rear view



| CONNECTION | BIPOLAR |
|------------------------------------------------------------------------------------|------------|
| SPECIFICATION | BIPOLAR |
| AMPS/PHASE | 0.67 |
| RESISTANCE/PHASE (Ohms)@25°C | 7.3±15% |
| INDUCTANCE/PHASE (mH) @1KHz | 6.52±20% |
| LEAD(mm) | 2 |
| THRUST (N) [lbf] | 152[34.2] |
| RESOLUTION (mm/STEP) | 0.01 |
| MAX. SPEED (mm/sec.) AT 48V | 35 |
| WEIGHT (Kg) [lb] | 0.14[0.31] |
| TEMPERATURE RISE: MAX.80°C (MOTOR STANDSTILL; FOR 2 PHASE ENERGIZED) | |
| AMBIENT TEMPERATURE -10°~ 50°C [14°F ~ 122°F] | |
| INSULATION RESISTANCE 100 MOhm (UNDER NORMAL TEMPERATURE AND HUMIDITY) | |
| INSULATION CLASS B 130° [266°F] | |
| DIELECTRIC STRENGTH 500VAC FOR 1 MIN. (BETWEEN THE MOTOR COILS AND THE MOTOR CASE) | |
| AMBIENT HUMIDITY MAX. 85% (NO CONDENSATION) | |

Please regard the application note at www.nanotec.com for further informations.

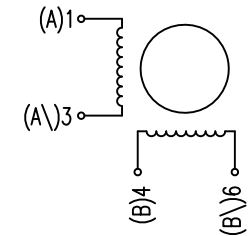
Shaft play is adjustable at the motor.

| PIN NO | TYPE OF CONNECTION (EXTERN) | | MOTOR | |
|--------|-----------------------------|-------|---------|--|
| | BIPOLAR | LEADS | WINDING | |
| 1 | A — | BLK | A | |
| 2 | A\ — | GRN | A\ | |
| 3 | B — | RED | B | |
| 4 | B\ — | BLU | B\ | |

FULL STEP 2 PHASE-Ex., WHEN FACING MOUNTING END (X)

| STEP | A | B | A\ | B\ | CCW | CW |
|------|---|---|----|----|-----|----|
| 1 | + | + | - | - | ↓ | ↑ |
| 2 | - | + | + | - | ↑ | ↓ |
| 3 | - | - | + | + | ↓ | ↑ |
| 4 | + | - | - | + | ↑ | ↓ |

WIRING DIAGRAM



| | | | | | | | | | |
|-----|-------------|----------|-----|---------------------------------------|---------------------------------------|----------------------------------|-------------|-----------------------|---------------------------|
| C | - | 24.01.18 | L W | | APVD | J.S. | 16.02.17 | STEPPING MOTOR | |
| B | - | 09.11.17 | L W | | CHKD | GYQ | 16.02.17 | | |
| A | - | 28.08.17 | L W | Surface specification DIN ISO 1302 | General tolerances DIN ISO 2768-CH | Work piece edge DIN ISO 13715 | DRN B.L. | 16.02.17 | DWG.NO LA281M06-B-THCA |
| REV | DESCRIPTION | DATE | DRN | | | | | | |