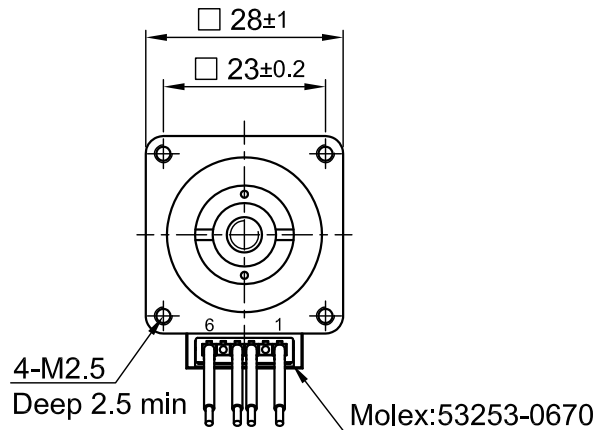
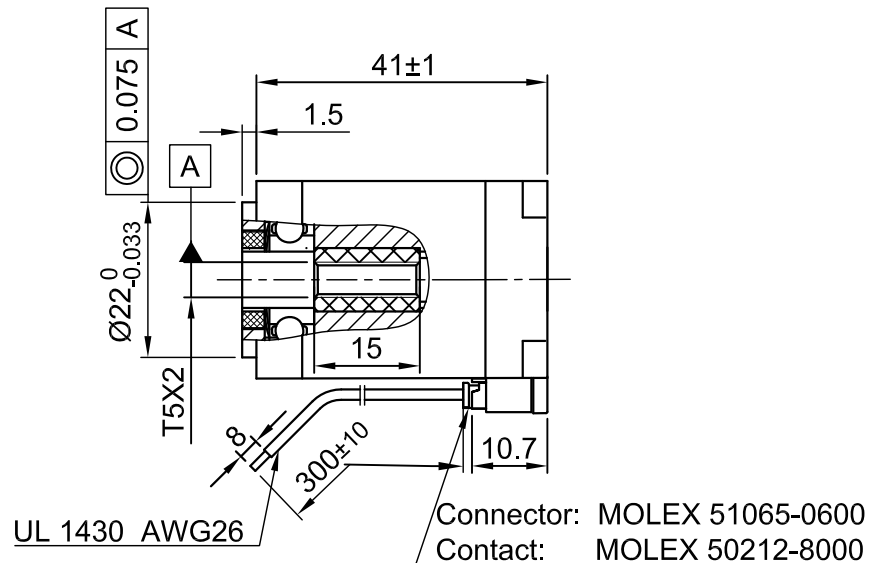


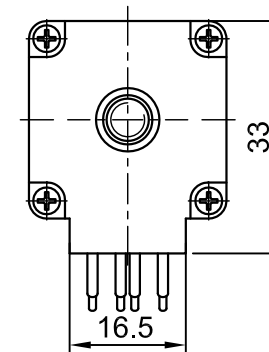
Front view and mounting



Side view



Rear view



CONNECTION	BIPOLAR
SPECIFICATION	BIPOLAR
AMPS/PHASE	1.5
RESISTANCE/PHASE (Ohms)@25°C	1.45±15%
INDUCTANCE/PHASE (mH) @1KHz	1.25±20%
LEAD(mm)	2
THRUST (N) [lbf]	152[34.2]
RESOLUTION (mm/STEP)	0.01
MAX. SPEED (mm/sec.) AT 48V	35
WEIGHT (Kg) [lb]	0.14[0.31]
TEMPERATURE RISE: MAX.80°C (MOTOR STANDSTILL; FOR 2 PHASE ENERGIZED)	
AMBIENT TEMPERATURE -10°~ 50°C [14°F ~ 122°F]	
INSULATION RESISTANCE 100 MOhm (UNDER NORMAL TEMPERATURE AND HUMIDITY)	
INSULATION CLASS B 130° [266°F]	
DIELECTRIC STRENGTH 500VAC FOR 1 MIN. (BETWEEN THE MOTOR COILS AND THE MOTOR CASE)	
AMBIENT HUMIDITY MAX. 85% (NO CONDENSATION)	

Please regard the application note at www.nanotec.com for further informations.

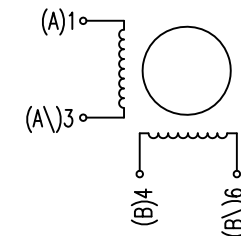
Shaft play is adjustable at the motor.

PIN NO	TYPE OF CONNECTION (EXTERN)		MOTOR	
	BIPOLAR	LEADS	WINDING	
1	A —	BLK	A	
2	A\ —	GRN	A\	
3	B —	RED	B	
4	B\ —	BLU	B\	

FULL STEP 2 PHASE-Ex., WHEN FACING MOUNTING END (X)

STEP	A	B	A\	B\	CCW	CW
1	+	+	-	-		
2	-	+	+	-		
3	-	-	+	+		
4	+	-	-	+		

WIRING DIAGRAM



C	B	A	REV	DESCRIPTION	DATE	DRN	Surface specification DIN ISO 1302	General tolerances DIN ISO 2768-CH	Work piece edge DIN ISO 13715	APVD	CHKD	DRN	SIGNATURE	DATE	DWG.NO	
-	-	-	-		24.01.18	L W				J.S.	GYQ	B.L.		16.02.17	16.02.17	16.02.17
Nanotec PLUG & DRIVE															STEPPING MOTOR	
LA281M15-A-THCA																