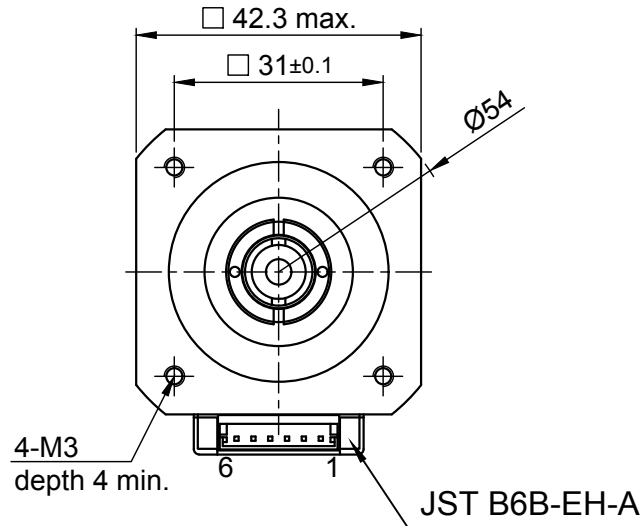
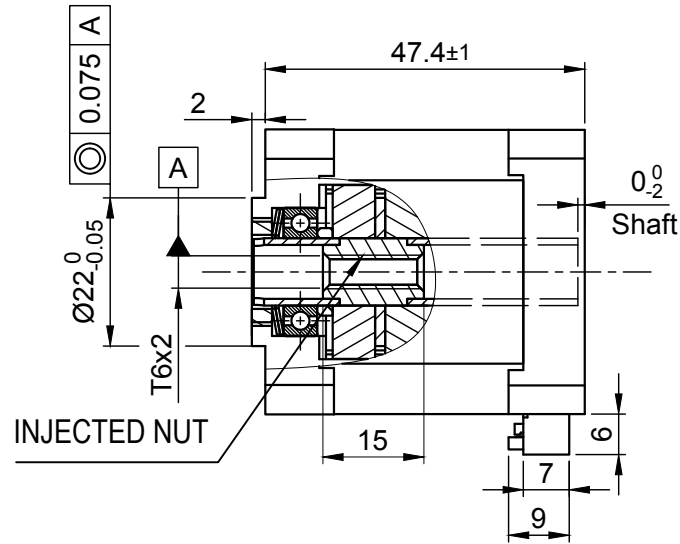


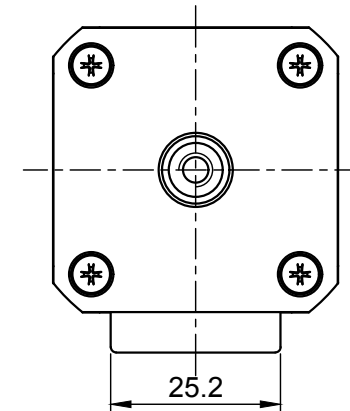
Front view and mounting



Side view



Rear view



| SPECIFICATION | CONNECTION | BIPOLAR |
|--|------------|-------------|
| AMPS/PHASE | | 1.3 |
| RESISTANCE/PHASE (Ohms)@25°C | | 3.8±15% |
| INDUCTANCE/PHASE (mH) @1KHz | | 6.15±20% |
| LEAD (mm) [in] | | 2 [0.078] |
| THRUST (N) | | 369 |
| RESOLUTION (mm/STEP) | | 0.01 |
| MAX. SPEED (mm/sec.) AT 48V | | 50 |
| WEIGHT (Kg) [lb] | | 0.34 [0.75] |
| TEMPERATURE RISE: MAX.80°C (MOTOR STANDSTILL; FOR 2 PHASE ENERGIZED) | | |
| AMBIENT TEMPERATURE -10~ 50°C [14°F ~ 122°F] | | |
| INSULATION RESISTANCE 100 MOhm (UNDER NORMAL TEMPERATURE AND HUMIDITY) | | |
| INSULATION CLASS B 130° [266°F] | | |
| DIELECTRIC STRENGTH 500VAC FOR 1 MIN. (BETWEEN THE MOTOR COILS AND THE MOTOR CASE) | | |
| AMBIENT HUMIDITY MAX. 85% (NO CONDENSATION) | | |

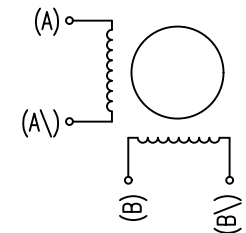
Please regard the application note at www.nanotec.com for further informations.

| MOTOR | |
|-------------------|---------|
| CONNECTOR PIN NO. | WINDING |
| 1 (NC) | |
| 2 | |
| 3 | |
| 4 | |
| 5 | |
| 6 (NC) | |

FULL STEP 2 PHASE-Ex.,
WHEN FACING MOUNTING END (X)

| STEP | A | B | A\ | B\ | | CCW |
|------|---|---|----|----|--|-----|
| 1 | + | + | - | - | | |
| 2 | - | + | + | - | | |
| 3 | - | - | + | + | | |
| 4 | + | - | - | + | | |

WIRING DIAGRAM



| | | | | PLUG & DRIVE | | | APVD | A.N. | 20.01.17 | LINEAR ACTUATOR |
|-----|-------------|----------|-----|---------------------------------------|---------------------------------------|----------------------------------|-----------|------|----------|------------------------|
| | | | | Surface specification DIN ISO 1302 | General tolerances DIN ISO 2768-cH | Work piece edge DIN ISO 13715 | CHKD | L B | 20.01.17 | |
| A | - | 28.08.17 | L W | | | | DRN | GYQ | 20.01.17 | DWG.NO |
| REV | DESCRIPTION | DATE | DRN | | | | SIGNATURE | DATE | | LA421L13-A-TJCA |