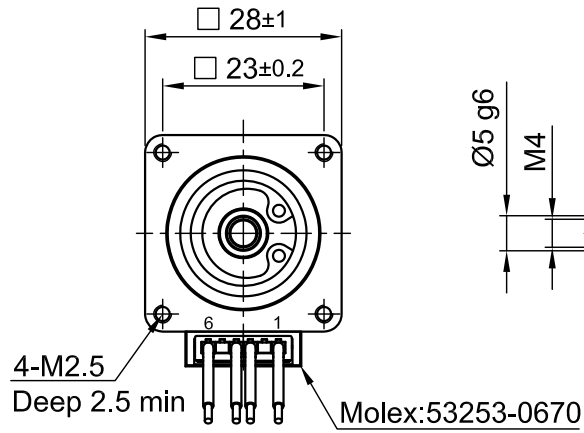
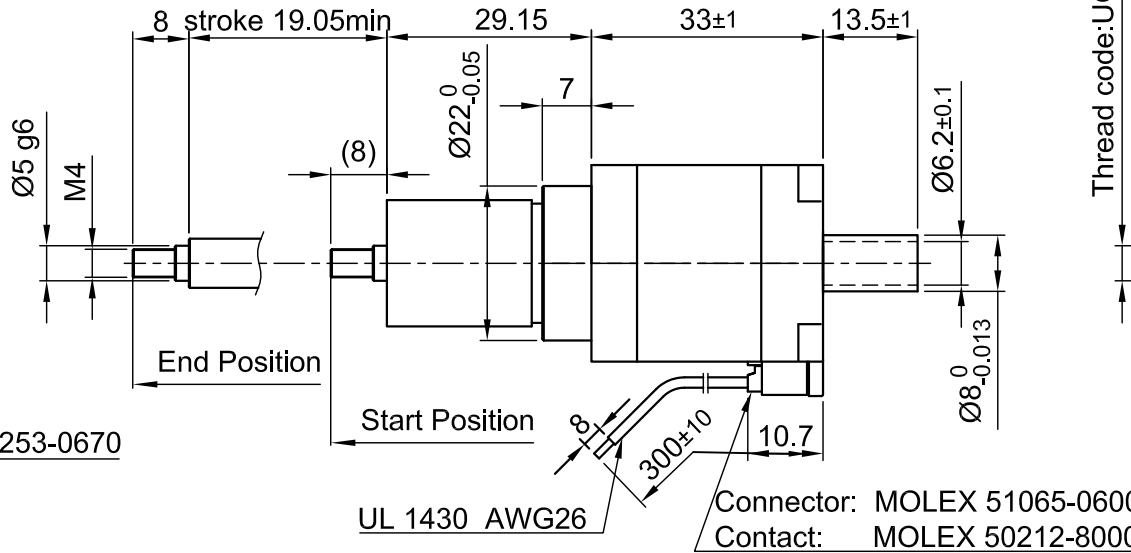


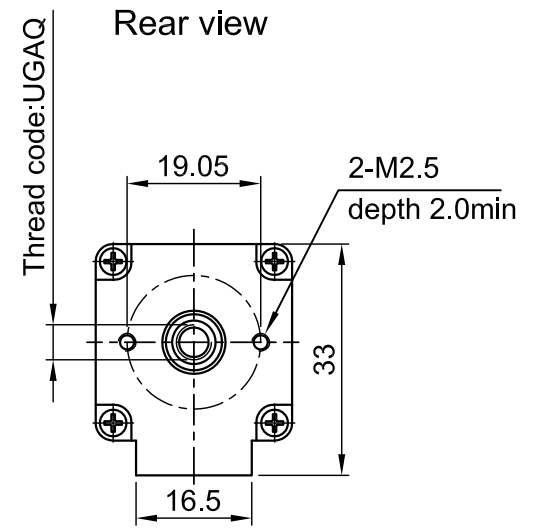
Front view and mounting



Side view



Rear view



CONNECTION		BIPOLAR
SPECIFICATION		BIPOLAR
AMPS/PHASE		1.0
RESISTANCE/PHASE (Ohms)@25°C		2.7±15%
INDUCTANCE/PHASE (mH) @1KHz		2.5±20%
SPINDLE LEAD (mm) [in]		0.635 [0.025]
THRUST (N) [lbf]		210 [47.19]
RESOLUTION (mm/STEP)		0.003175
MAX. SPEED (mm/sec.) AT 48V		19
WEIGHT (Kg) [lb]		0.14 [0.31]
TEMPERATURE RISE: MAX.80°C (MOTOR STANDSTILL; FOR 2 PHASE ENERGIZED)		
AMBIENT TEMPERATURE -10°~ 50°C [14°F ~ 122°F]		
INSULATION RESISTANCE 100 MOhm (UNDER NORMAL TEMPERATURE AND HUMIDITY)		
INSULATION CLASS B 130° [266°F]		
DIELECTRIC STRENGTH 500VAC FOR 1 MIN. (BETWEEN THE MOTOR COILS AND THE MOTOR CASE)		
AMBIENT HUMIDITY MAX. 85% (NO CONDENSATION)		

Please regard the application note at www.nanotec.com for further informations.

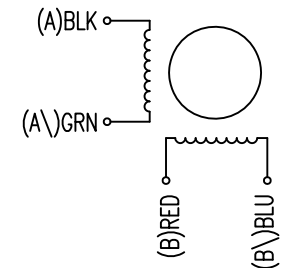
Shaft play is adjustable at the motor.

TYPE OF CONNECTION (EXTERN)	MOTOR	
	LEADS	WINDING
BIPOLAR	BLK	A
A —	GRN	A\
B —	RED	B
B\ —	BLU	B\

WIRING DIAGRAM

FULL STEP 2 PHASE-Ex., WHEN FACING MOUNTING END (X)

STEP	A	B	A\	B\		CCW
1	+	+	-	-	↓	↑
2	-	+	+	-		
3	-	-	+	+	↑	↓
4	+	-	-	+		



				 Nanotec [®] PLUG & DRIVE			APVD	P.R.	19.04.18	STEPPING MOTOR DWG.NO LGA281S10-B-UGAQ-019
							CHKD	GYQ	19.04.18	
A	-	05.09.18	X T	DRN	X T	19.04.18				
REV	DESCRIPTION	DATE	APVD	SIGNATURE		DATE				