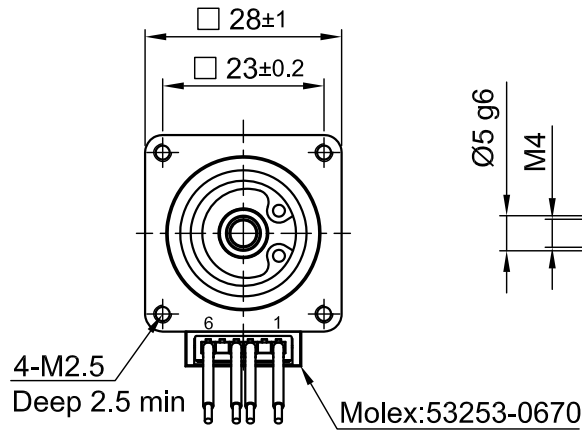
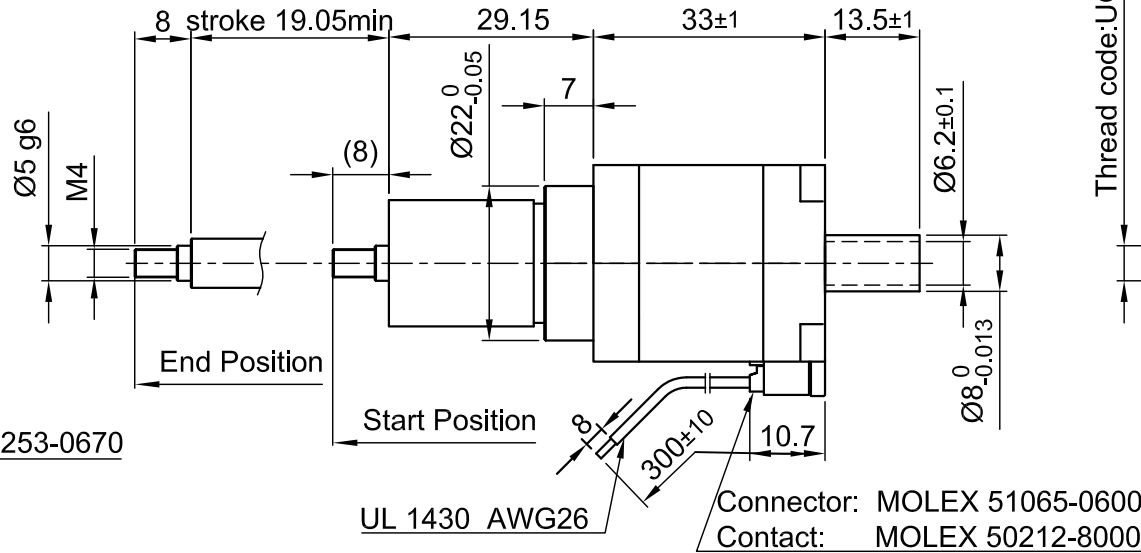


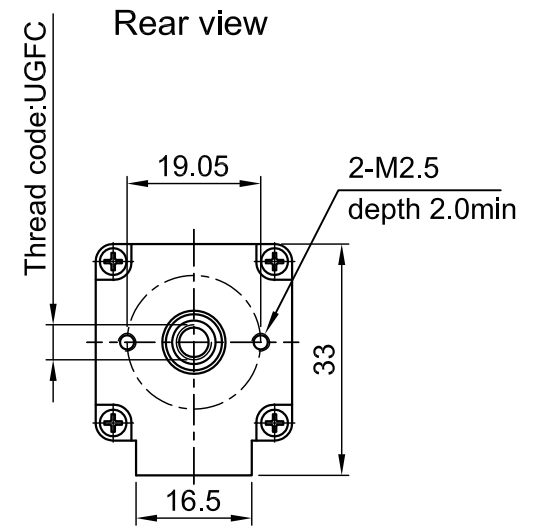
Front view and mounting



Side view



Rear view



CONNECTION	BIPOLAR
SPECIFICATION	
AMPS/PHASE	1.0
RESISTANCE/PHASE (Ohms)@25°C	2.7±15%
INDUCTANCE/PHASE (mH) @1KHz	2.5±20%
SPINDLE LEAD (mm) [in]	5.08 [0.20]
THRUST (N) [lbf]	50 [11.25]
RESOLUTION (mm/STEP)	0.0254
MAX. SPEED (mm/sec.) AT 48V	120
WEIGHT (Kg) [lb]	0.14 [0.31]
TEMPERATURE RISE: MAX.80°C (MOTOR STANDSTILL; FOR 2 PHASE ENERGIZED)	
AMBIENT TEMPERATURE -10°~ 50°C [14°F ~ 122°F]	
INSULATION RESISTANCE 100 MOhm (UNDER NORMAL TEMPERATURE AND HUMIDITY)	
INSULATION CLASS B 130° [266°F]	
DIELECTRIC STRENGTH 500VAC FOR 1 MIN. (BETWEEN THE MOTOR COILS AND THE MOTOR CASE)	
AMBIENT HUMIDITY MAX. 85% (NO CONDENSATION)	

Please regard the application note at [www.nanotec.com](http://www.nanotec.com) for further informations.

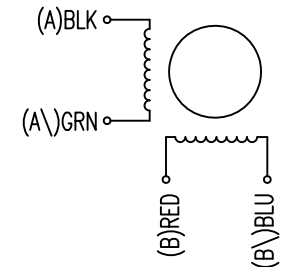
Shaft play is adjustable at the motor.

TYPE OF CONNECTION (EXTERN)	MOTOR	
	LEADS	WINDING
BIPOLAR	BLK	A
A —	GRN	A\
B —	RED	B
B\ —	BLU	B\

WIRING DIAGRAM

FULL STEP 2 PHASE-Ex., WHEN FACING MOUNTING END (X)

STEP	A	B	A\	B\	CCW	CW
1	+	+	-	-	↓	↑
2	-	+	+	-	↓	↑
3	-	-	+	+	↓	↑
4	+	-	-	+	↓	↑



		 <b>Nanotec</b> <sup>®</sup> PLUG & DRIVE			APVD	P.R	26.02.18	<b>STEPPING MOTOR</b> DWG.NO LGA281S10-B-UGFC-019	
A	-	20.06.18	X T	Surface specification DIN ISO 1302	General tolerances DIN ISO 2768-CH	Work piece edge DIN ISO 13715	CHKD		GYQ
REV	DESCRIPTION	DATE	APVD				DRN	X T	26.02.18
							SIGNATURE	DATE	