



OPTIONS



VERSIONS

Type	Force N	Feed mm/s	Resolution $\mu\text{m}/\text{step}$	Current per Winding A	Resistance per Winding Ohm	Weight kg	Length „A“ mm
LS2818S0604-T6x1-75	60	20	5	0.67	5.6	0.13	31.5
LS2818S0604-T6x2-75	60	20	10	0.67	5.6	0.13	31.5
LS2818S0604-T5x5-75	30	100	25	0.67	5.6	0.13	31.5
LS2818L0604-T6x1-75	120	30	5	0.67	9.2	0.28	50.5
LS2818L0604-T6x2-75	120	30	10	0.67	9.2	0.28	50.5
LS2818L0604-T5x5-75	60	140	25	0.67	9.2	0.28	50.5
LS2818L1404-T6x2-75	140	40	10	1.4	2.3	0.28	50.5

ORDER IDENTIFIER

LS2818S0604-T6x1-75



ACCESSORIES

- LSNUT-T5X5-F Threaded Nut
- LSNUT-T6X1-F Threaded Nut
- LSNUT-T6X2-F Threaded Nut
- Nanolube Lubricant



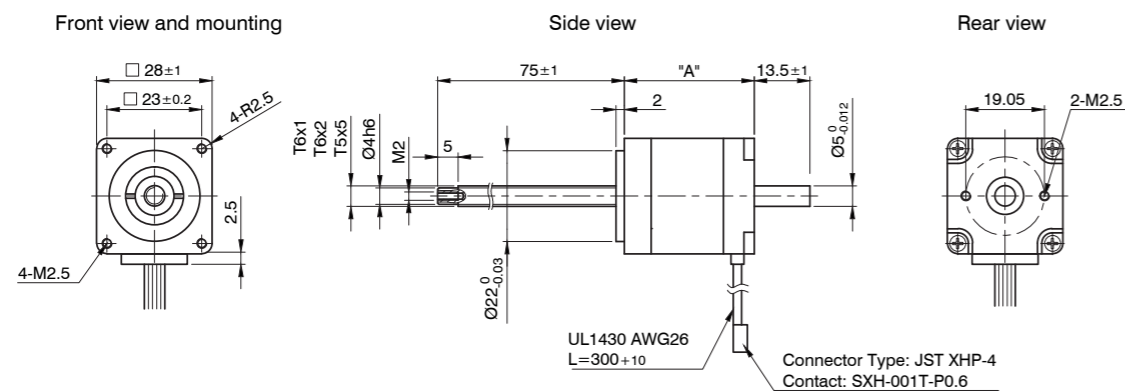
CAUTION



The force and power ratings specified in the data sheets are based on a duty cycle of 10% to 20% and must be reduced for higher values. Moving against fixed end stops should be avoided.

DIMENSIONS (IN MM)

LS2818



TORQUE CURVES

