



OPTIONS



VERSIONS

Type	Force N	Feed mm/s	Resolution $\mu\text{m}/\text{step}$	Current per Winding A	Resistance per Winding Ohm	Weight kg	Length „A“ mm
LS3518S1204-T6X1-75	240	50	5	1.2	1.9	0.15	34
LS3518S1204-T6X2-75	160	100	10	1.2	1.9	0.15	34
LS3518S1204-T5X5-75	85	250	25	1.2	1.9	0.15	34

ORDER IDENTIFIER

LS3518S1204-T6X1-75

ACCESSORIES

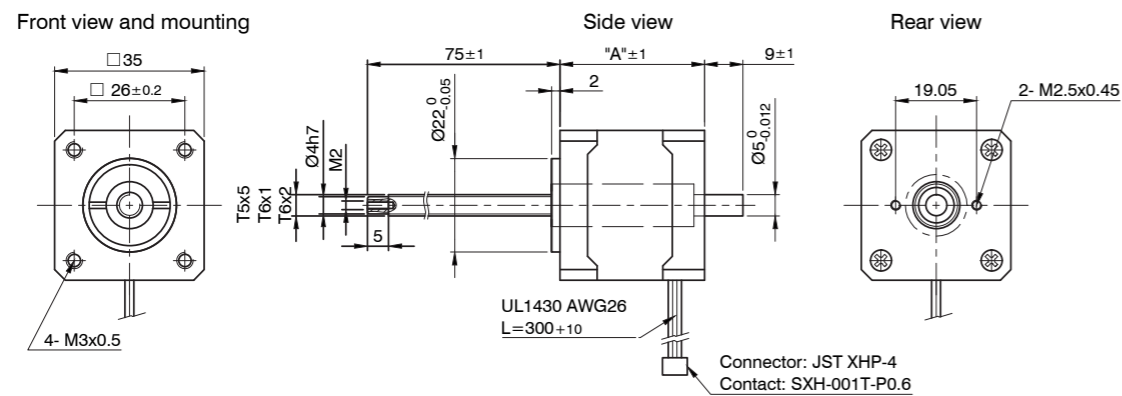
- LSNUT-T5X5-F Threaded Nut
- LSNUT-T6X1-F Threaded Nut
- LSNUT-T6X2-F Threaded Nut
- Nanolube Lubricant

CAUTION

The force and power ratings specified in the data sheets are based on a duty cycle of 10% to 20% and must be reduced for higher values. Moving against fixed end stops should be avoided.

DIMENSIONS (IN MM)

LS3518



TORQUE CURVES

