



OPTIONS



VERSIONS

Type	Force N	Feed mm/s	Resolution $\mu\text{m}/\text{step}$	Current per Winding A	Resistance per Winding Ohm	Weight kg	Length „A“ mm
LS5918S2008-T10X2-75	800	70	10	2	1.5	0.85	51
LS5918S2008-T10X6-75	500	130	30	2	1.5	0.85	51

ORDER IDENTIFIER

LS5918S2008-T10X2-75



ACCESSORIES

LSNUT-T10X2-F Threaded Nut
LSNUT-T10X6-F Threaded Nut
Nanolube Lubricant



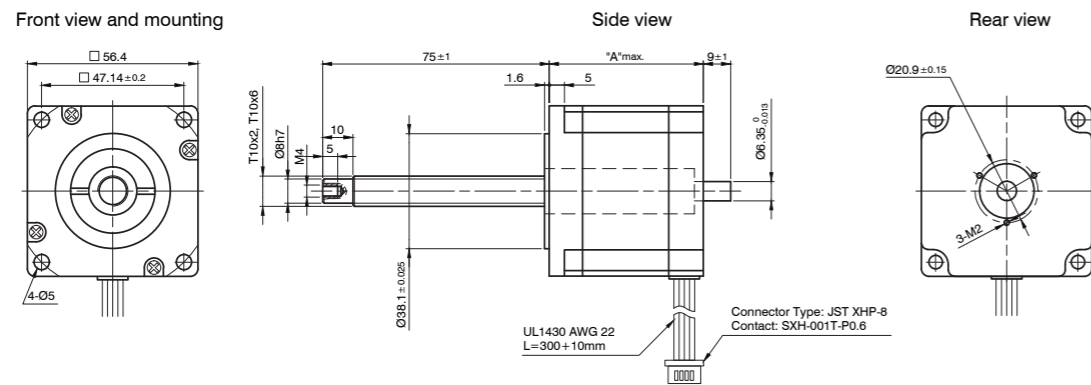
CAUTION



The force and power ratings specified in the data sheets are based on a duty cycle of 10% to 20% and must be reduced for higher values. Moving against fixed end stops should be avoided.

DIMENSIONS (IN MM)

LS5918



TORQUE CURVES

