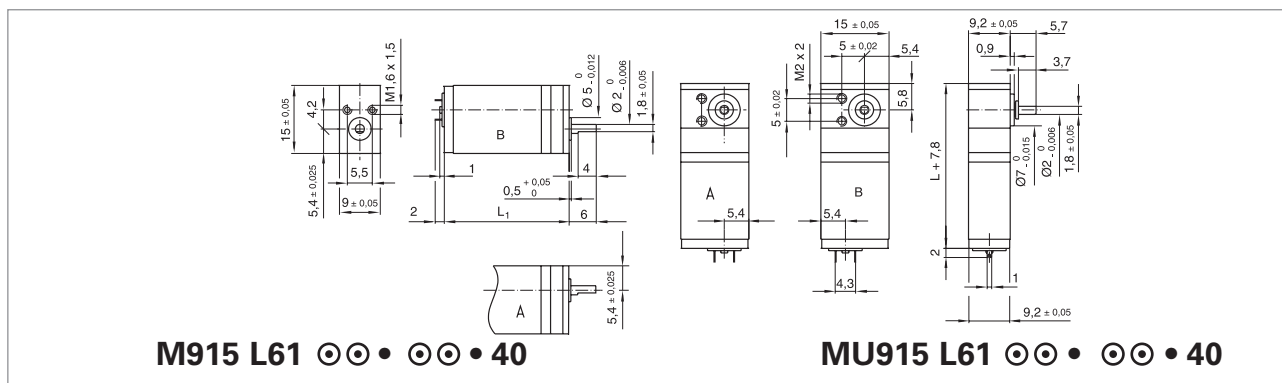


0.03 Nm

Gearmotor with Spur Gears and Right Angle Output



M915 L61 ☉☉ • ☉☉ • 40

MU915 L61 ☉☉ • ☉☉ • 40

Gearhead Specifications

Ratio	☉☉	3.67	13.4	26.8	49.3	98.7	181	362	663	1330	2430
No. of gear stages		1	2	3	3	4	4	5	5	6	6
Direction of Rotation		≠	=	≠	≠	=	=	≠	≠	=	=
Efficiency		0.9	0.8	0.7	0.7	0.65	0.65	0.6	0.6	0.55	0.55
L (mm) Length		21.2	23.30	26	26	28.7	28.7	31.4	31.4	34.1	34.1
Mass (g)		10/B	10/A	11/B	11/B	12/A	12/A	13/B	13/B	13/A	13/A
Max. recom. dynamic output torque		mNm (oz-in)					30 (4.25) at 20 rpm				
		mNm (oz-in)					20 (2.83) at 150 rpm				
Bearing type							sleeve bearings				
Max. static torque		mNm (oz-in)					70 (9.87)				
Max. side load at 3 mm from mount. face		N (lb)					1.5 (0.34)				
Max. axial load		N (lb)					1 (0.225)				
Max. force for press-fit		N (lb)					5 (1.12)				
Average backlash at no-load							2°				
Average backlash at 12mNm							3°				
Radial Play		µm					≤30				
Axial Play		µm					≤150				
Max. recom input speed		rpm					7500				
Temperature range		°C (°F)					-20 ... +65 (-4...+150)				

Motor Specifications

Winding Types	☉☉	-208	-205
Measured Values			
Measuring Voltage	V	2	3
No-Load speed	rpm	8300	8000
Stall torque	mNm (oz-in)	0.52 (0.07)	0.35 (0.05)
Average no-load current	mA	8	6
Max. Recommended Values			
Max. continuous current	A	0.28	0.18
Max. continuous torque	mNm (oz-in)	0.59 (0.08)	0.50 (0.07)
Intrinsic Parameters			
Torque constant	mNm/A (oz-in/A)	2.2 (0.31)	3.2 (0.46)
Terminal resistance	ohm	8.5	26
Motor regulation R/k ²	10 ³ /Nms	1760	2540
Thermal inductance	mH	0.05	0.10
Rotor inertia	kgm ² 10 ⁻⁷	0.04	0.03
Thermal Parameters			
Mechanical time constant	ms	7	7
Thermal time constant rotor	s	3	3
Thermal resistance body-ambient	°C/W	60	60

Gearhead