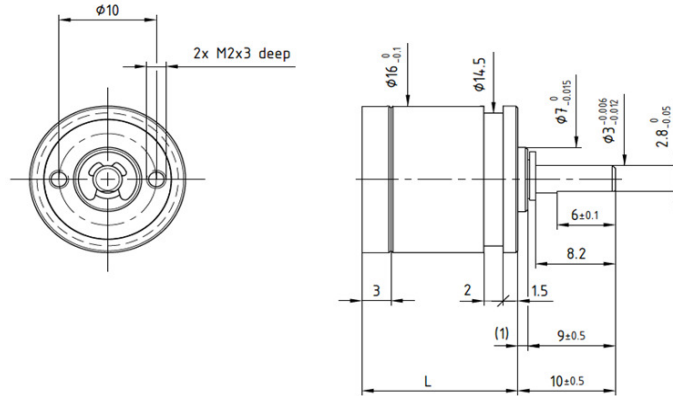


R16

Planetary Gearbox

Ø 16mm

0.3 Nm



Dimensions in mm

Ratio	****	5.5	22	30.2	88	121	166	352	484	665.5	915	
1	Number of Gear Stages	1	2	2	3	3	3	4	4	4	4	
2	Direction of Rotation	=	=	=	=	=	=	=	=	=	=	
3	Efficiency	0.85	0.75	0.75	0.65	0.65	0.65	0.55	0.55	0.55	0.55	
4	L(mm)	16	20.1	20.1	24.2	24.2	24.2	28.3	28.3	28.3	28.3	
5	Weight g (oz)	10 (0.352)	13 (0.458)	13 (0.458)	16 (0.564)	16 (0.564)	16 (0.564)	19 (0.670)	19 (0.670)	19 (0.670)	19 (0.670)	
6	Available with Motor - L2 = Length with motor (mm)											
	16C18	31.7	35.8	35.8	39.9	39.9	39.9	44	44	44	44	
	16N28/78	44	48.1	48.1	52.2	52.2	52.2	56.3	56.3	56.3	56.3	
	16G88	44	48.1	48.1	52.2	52.2	52.2	56.3	56.3	56.3	56.3	
	17S78	34.7	38.8	38.8	42.9	42.9	42.9	47	47	47	47	
	17N78	41.9	46	46	50.1	50.1	50.1	54.2	54.2	54.2	54.2	
	P110	35	39.1	39.1	43.2	43.2	43.2	47.3	47.3	47.3	47.3	
	16DCP/17DCT	42	46.1	46.1	50.2	50.2	50.2	54.3	54.3	54.3	54.3	
	16ECP36	50.5	54.6	54.6	58.7	58.7	58.7	62.8	62.8	62.8	62.8	
	16ECP52	66.5	70.6	70.6	74.7	74.7	74.7	78.8	78.8	78.8	78.8	
	32BF	27.2	31.3	31.3	35.4	35.4	35.4	39.5	39.5	39.5	39.5	
Characteristics						R16 · 0 ·			R16 2R · 0 ·			
7	Shaft Bearings					Sleeve			Ball Bearing			
8	Maximum Static Torque					Nm (oz-in)			1 (141)			
9	Maximum Radial Force @ 8mm from mounting face					N (lb)			5 (1.12)			
10	Maximum Axial Force					N (lb)			8 (1.8)			
11	Maximum Press Fit Force					N (lb)			100 (23)			
12	Average Backlash @ no-load					1.25°			1.25°			
13	Average Backlash @ 0.3 Nm					2°			2°			
Shaft Play:												
14	-radial					µm			≤ 20			
15	-axial					µm			50-150			
16	Maximum Recommended Input Speed					rpm			7500			
17	Operating Temperature Range:					°C (°F)			-30 to +85 (-22 to +185)			

Motor + gearbox = L2

