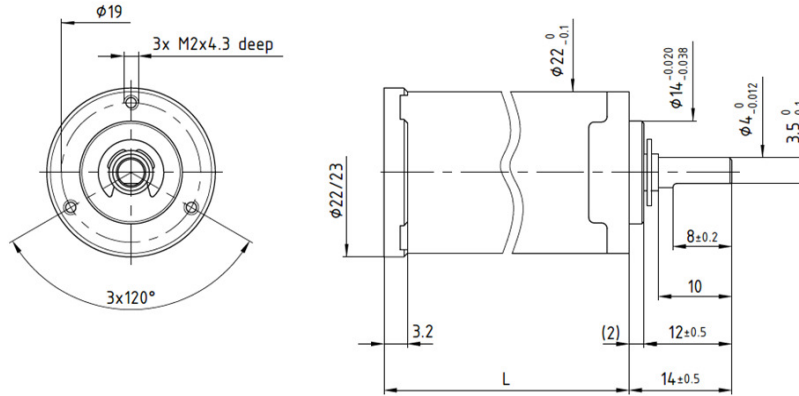


R22

Planetary Gearbox

Ø 22mm

0.6 Nm

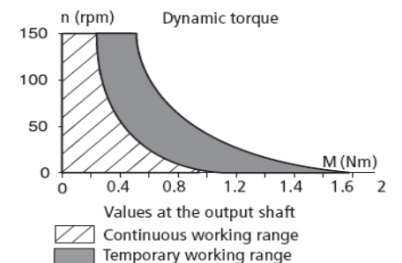


Dimensions in mm

Ratio	****	5.75	16.2	19.4	27.6	33.1	65.5	93.2	111	132	159	190	376	641	1090
1	Number of Gear Stages	1	2	2	2	2	3	3	3	3	3	3	4	4	4
2	Direction of Rotation	=	=	=	=	=	=	=	=	=	=	=	=	=	=
3	Efficiency	0.8	0.7	0.7	0.7	0.7	0.6	0.6	0.6	0.6	0.6	0.6	0.5	0.5	0.5
4	L(mm)	25	32.5	32.5	32.5	32.5	40	40	40	40	40	40	40	40	40
5	Weight g (oz)	20 (0.705)	25 (0.881)	25 (0.881)	25 (0.881)	25 (0.881)	30 (1.058)	30 (1.058)	30 (1.058)	30 (1.058)	30 (1.058)	30 (1.058)	33 (1.164)	33 (1.164)	33 (1.164)
6	Available with Motor - L2 = Length with motor (mm)														
	22S78	51	58.5	58.5	58.5	58.5	66	66	66	66	66	66	66	66	66
	22N78	57	64.5	64.5	64.5	64.5	72	72	72	72	72	72	72	72	72
	22V28	59.4	66.9	66.9	66.9	66.9	74.4	74.4	74.4	74.4	74.4	74.4	74.4	74.4	74.4
	22V48	61.2	68.7	68.7	68.7	68.7	76.2	76.2	76.2	76.2	76.2	76.2	76.2	76.2	76.2
	23GST82	60.1	67.6	67.6	67.6	67.6	75.1	75.1	75.1	75.1	75.1	75.1	75.1	75.1	75.1
	26N58	68.3	75.8	75.8	75.8	75.8	83.3	83.3	83.3	83.3	83.3	83.3	83.3	83.3	83.3
	26N48	67.1	74.6	74.6	74.6	74.6	82.1	82.1	82.1	82.1	82.1	82.1	82.1	82.1	82.1
	28L18/28	68.5	76	76	76	76	83.5	83.5	83.5	83.5	83.5	83.5	83.5	83.5	83.5
	28LT12	66.2	73.7	73.7	73.7	73.7	81.2	81.2	81.2	81.2	81.2	81.2	81.2	81.2	81.2
	P310	42.4	49.9	49.9	49.9	49.9	57.4	57.4	57.4	57.4	57.4	57.4	57.4	57.4	57.4
	22DCP/24DCT	55*	62.5	62.5	62.5	62.5	70	70*	70	70	70	70	70	70	70

Characteristics		R22 · 0 ·	R22 2R · 0 ·
7	Shaft Bearings	Sleeve	Ball Bearing
8	Maximum Static Torque	Nm (oz-in)	2 (283)
9	Maximum Radial Force		
	@ 8mm from mounting face	N (lb)	10 (2.2)
10	Maximum Axial Force	N (lb)	10 (2.2)
11	Maximum Press Fit Force	N (lb)	300 (67.4)
12	Average Backlash @ no-load	1.5°	1.5°
13	Average Backlash @ 0.3 Nm	3°	3°
	Shaft Play:		
14	-radial	µm	≤ 25
15	-axial	µm	50-150
16	Maximum Recommended Input Spee	rpm	5000
17	Operating Temperature Range:	°C (°F)	-30 to +65 (-22 to +150)

Motor + gearbox = L2



V09212016