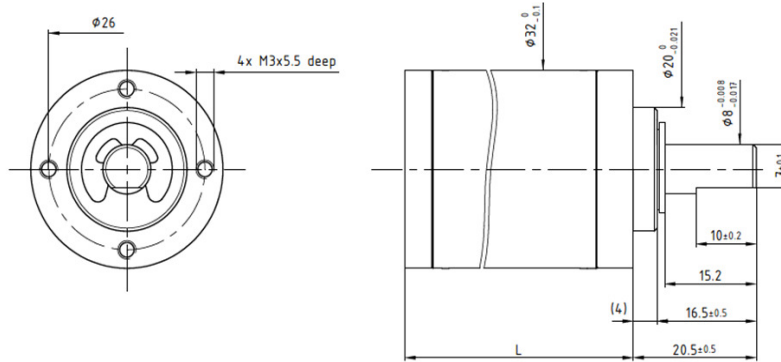


R32

Planetary Gearbox

Ø 32mm

4.5 Nm



Dimensions in mm

Ratio	****	5.75	17.4	24	33	72.3	99.8	138	190	301	416	574	792	1090
1	Number of Gear Stages	1	2	2	2	3	3	3	3	4	4	4	4	4
2	Direction of Rotation	=	=	=	=	=	=	=	=	=	=	=	=	=
3	Efficiency	0.8	0.75	0.75	0.75	0.65	0.65	0.65	0.65	0.55	0.55	0.55	0.55	0.55
4	L(mm)	32	38	38	38	44	44	44	44	50	50	50	50	50
5	Weight g (oz)	124 (4.373)	145 (5.114)	145 (5.114)	145 (5.114)	175 (6.172)	175 (6.172)	175 (6.172)	175 (6.172)	205 (7.231)	205 (7.231)	205 (7.231)	205 (7.231)	205 (7.231)
6	Available with Motor - L2 = Length with motor (mm)													
	<b>25GST82</b>	75.5	81.5	81.5	81.5	87.5	87.5	87.5	87.5	93.5	93.5	93.5	93.5	93.5
	<b>25GT82</b>	85.45	91.45	91.45	91.45	97.45	97.45	97.45	97.45	103.45	103.45	103.45	103.45	103.45
	<b>28L18/28</b>	75.5	81.5	81.5	81.5	87.5	87.5	87.5	87.5	93.5	93.5	93.5	93.5	93.5
	<b>28LT12</b>	73.2	79.2	79.2	79.2	85.2	85.2	85.2	85.2	91.2	91.2	91.2	91.2	91.2
	<b>28DT12</b>	96.6	102.6	102.6	102.6	108.6	108.6	108.6	108.6	114.6	114.6	114.6	114.6	114.6
	<b>30GT82</b>	94.9	100.9	100.9	100.9	106.9	106.9	106.9	106.9	112.9	112.9	112.9	112.9	112.9
	<b>35NT32/82</b>	89.2	95.2	95.2	95.2	101.2	101.2	101.2	101.2	107.2	107.2	107.2	107.2	107.2
	<b>35GLT2R82</b>	99.2	105.2	105.2	105.2	111.2	111.2	111.2	111.2	117.2	117.2	117.2	117.2	117.2
	<b>22ECT60</b>	92	98	98	98	104	104	104	104	110	110	110	110	110
	<b>22ECT82</b>	114	120	120	120	126	126	126	126	132	132	132	132	132

Characteristics	R32 2R • 0 • ....	
7 Shaft Bearings	Ball bearing	
8 Maximum Static Torque	Nm (oz-in)	20 (2832)
9 Maximum Radial Force		
@ 8mm from mounting face	N (lb)	180 (40.5)
10 Maximum Axial Force	N (lb)	150 (33.75)
11 Maximum Press Fit Force	N (lb)	500 (112.5)
12 Average Backlash @ no-load	1°	
13 Average Backlash @ 0.3 Nm	2°	
Shaft Play:		
14 -radial	µm	≤ 10
15 -axial	µm	≤ 10
16 Maximum Recommended Input Speed	rpm	6000
17 Operating Temperature Range:	°C (°F)	-30 to +85 (-22 to +185)

Motor + gearbox = L2



V09212016

