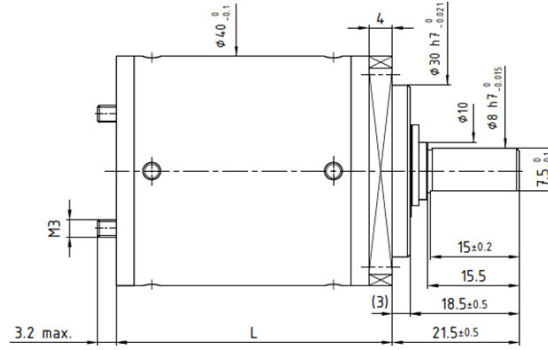
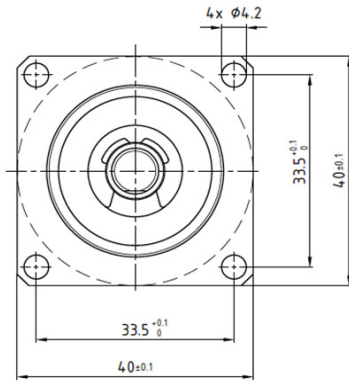


R40

Planetary Gearbox

Ø 40mm

10 Nm

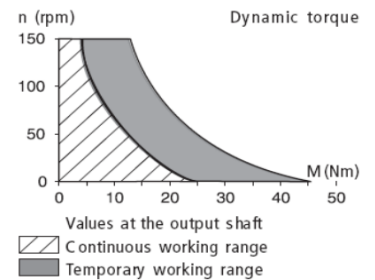


Dimensions in mm

Ratio	****	3.56	5.6	15.2	24	54.2	85.3	134	193	303	478	753
1	Number of Gear Stages	1	1	2	2	3	3	3	4	4	4	4
2	Direction of Rotation	=	=	=	=	=	=	=	=	=	=	=
3	Efficiency	0.85	0.85	0.7	0.7	0.6	0.6	0.6	0.5	0.5	0.5	0.5
4	L(mm)	38.3	38.3	46.8	46.8	55.3	55.3	55.3	63.8	63.8	63.8	63.8
5	Weight g (oz)	245 (8.642)	245 (8.642)	285 (10.052)	285 (10.052)	340 (11.993)	340 (11.993)	340 (11.993)	400 (14.109)	400 (14.109)	400 (14.109)	400 (14.109)
6	Available with Motor - L2 = Length with motor (mm)											
	25GT82	91.75	91.75	100.25	100.25	108.75	108.75	108.75	117.25	117.25	117.25	117.25
	28DT12	102.9	102.9	111.4	111.4	119.9	119.9	119.9	128.4	128.4	128.4	128.4
	30GT82	101.2	101.2	109.7	109.7	118.2	118.2	118.2	126.7	126.7	126.7	126.7
	35NT32/82	95.5	95.5	104	104	112.5	112.5	112.5	121	121	121	121
	35GLT82	105.5	105.5	114	114	122.5	122.5	122.5	131	131	131	131

Characteristics	R40 - 0 -	
7	Shaft Bearings	Ball Bearing
8	Maximum Static Torque	Nm (oz-in) 40 (5700)
9	Maximum Radial Force	
	@ 8mm from mounting face	N (lb) 600 (135)
10	Maximum Axial Force	N (lb) 400 (90)
11	Maximum Press Fit Force	N (lb) 600 (135)
12	Average Backlash @ no-load	1°
13	Average Backlash @ 0.3 Nm	1.3°
	Shaft Play:	
14	-radial	µm ≤ 10
15	-axial	µm ≤ 10
16	Maximum Recommended Input Speed	rpm 6000
17	Operating Temperature Range:	°C (°F) -30 to +85 (-22 to +185)

Motor + gearbox = L2



V09212016