



## Options



Gearboxes



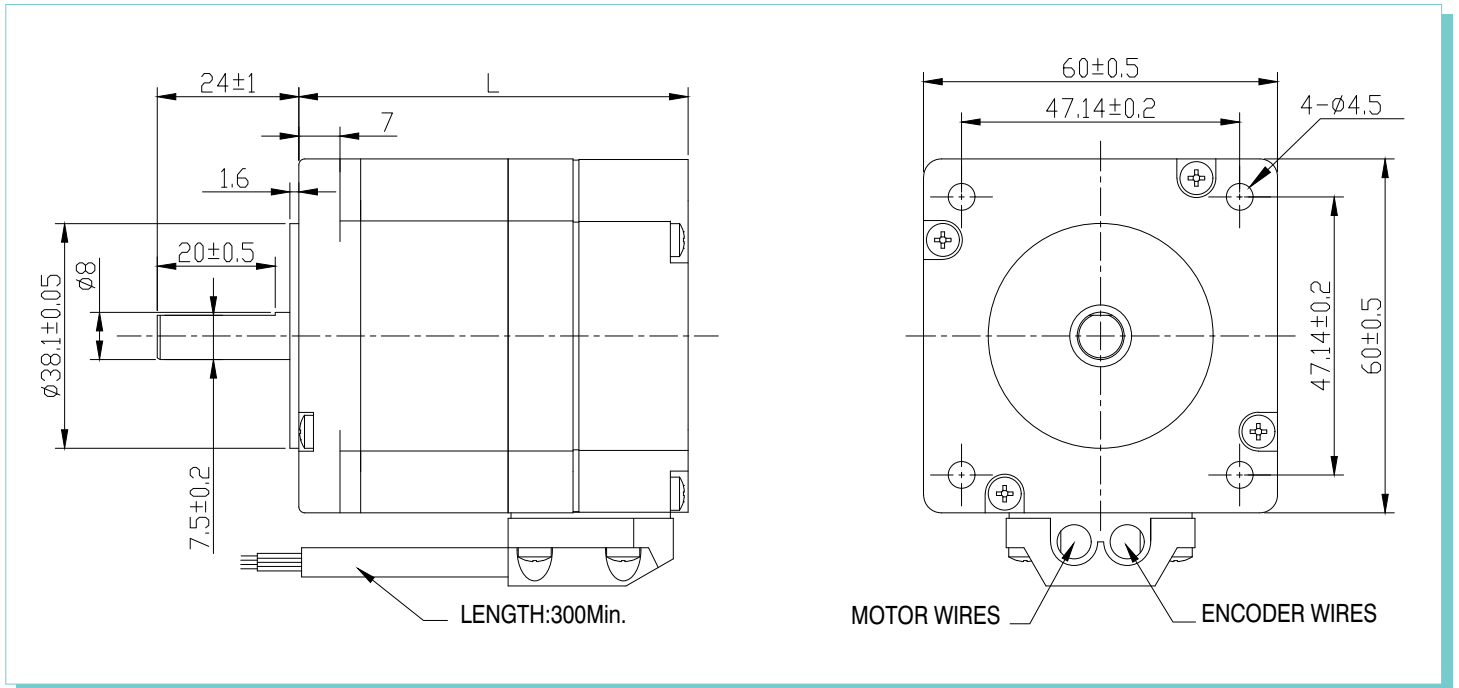
Drive

## Characteristics

Step Angle	1,8°
Step Angle Accuracy	± 5%
Encoder Type*	Optical-Incremental 1000 CPR / 2 Channels
Insulation Class	B
Ambient temperature	-20°C +50°C
Temperature Rise (Rated current, 2 phase on)	80°C max
Insulation resistance (Min. 500 VDC)	100 Mohm
Dielectric Strength (for one min)	500 VAC
Shaft radial play (450 g load)	0,02 max
Shaft axial play (450 g load)	0,08 max
Max radial force (20 mm from front flange)	75 N
Max axial force	15 N

## Model

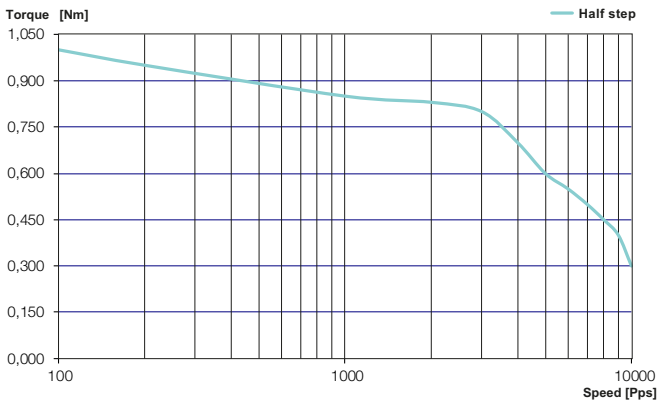
	Current Phase	Resistance Phase	Inductance Phase	Holding Torque	Rotor Inertia	Detent Torque	Number of Leads	Weight	Length
	A	Ω	mH	Nm	g-cm <sup>2</sup>	g-cm	n°	Kg	mm
SM60066-28E4F.000	2,8	0,75	2	1,1	275	0,5	4	0,6	66
SM60075-28E4F.000	2,8	0,9	3,6	1,65	400	0,7	4	0,82	75
SM60086-28E4F.000	2,8	1,2	4,6	2,1	570	0,9	4	1,30	86
SM60107-28E4F.000	2,8	1,5	6,8	3,1	840	1	4	1,40	107



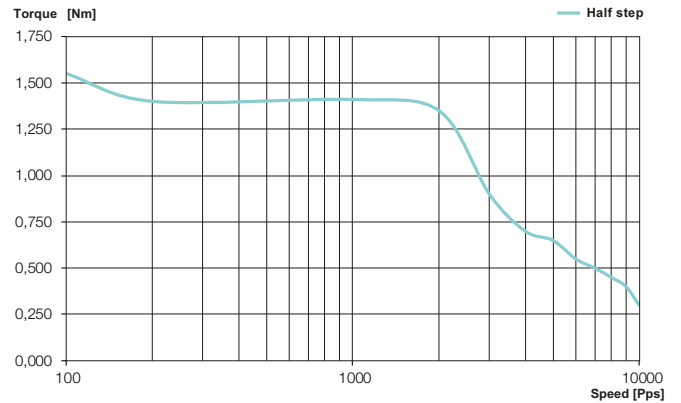
## Connection

No.	Lead Color	Wire Gauge	Function	Description
1	Black	AWG24	GND	Signal power negative
2	Red		Vcc: +5Vdc	Signal power positive
3	Blue		EA-	Encoder connection
4	Blue & White		EA+	
5	Orange		EB-	
6	Orange & White		EB+	
1	Black	AWG20	Phase A	Motor connection
2	Green		Phase A-	
3	Red		Phase B	
4	Blue		Phase B-	

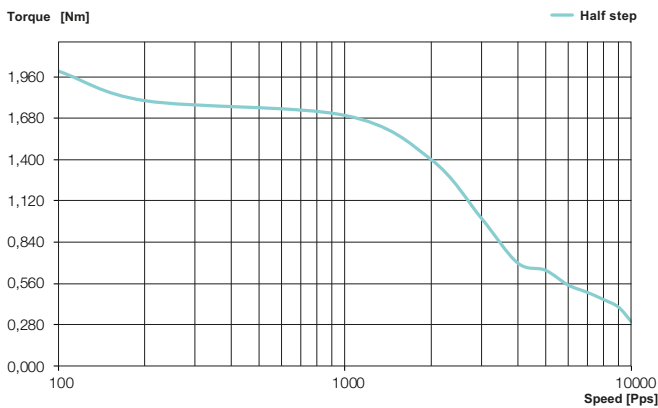
SM60066-28E4F.000 VM: 30V; 3,0A /Phase Driver:E&D-SBD207



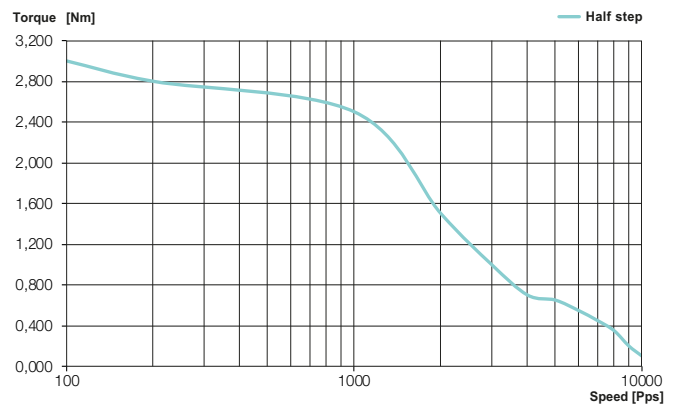
SM60075-28E4F.000 VM: 30V; 3,0A /Phase Driver: E&D-SBD207



SM60086-28E4F.000 VM: 30V; 3,0A /Phase Driver: E&D-SBD207



SM60107-28E4F.000 VM: 30V; 3,0A /Phase Driver: E&D-SBD207



## Product Combination

Family Name	Code	Communication Bus	Page
Libra	SBD207N001-S200	Clock & Direction / Close loop / Programmable	12
Sagittarius	SBD207M001-S200	ModBus 485	18
Sagittarius	SBD207C001-S200	Can Open	18
Sagittarius	SBD207E001-S402	Ethercat	18
Sagittarius	SBD207T001-S200	Ethernet ModBus TCP	18
Orion	SOD203M001-S200	ModBus 485	15
Orion	SOD203C001-S402	Can Open	15
Orion	SOD203E001-S402	Ethercat	15

\* 3 Channel encoder or other encoder type possible (On request)